

PARTS CATALOGUE



SCOOTERS

KG10BA(FL)



Release Date : 2011/01/13
Print Date : 2011/01/14

ABOUT THIS PARTS LIST

- This parts list is compiled all service parts for model KG10BA(FL).
- Any difference between color chart and motorcycle will be revised according to motorcycle.
- The Mark:
 1. Marking "***" must add color code in the end before ordering parts.
 2. Marking "#" are parts with modification, Please find the details from e-Parts system.
- When modification or additions to this parts list are made a revised edition at an appropriate time.

CONTENTS

● ABOUT THIS PARTS LIST	1
● COLOR CHART OF KG10BA(FL)	3
● CONTENTS-ENGINE GROUP	7
● CONTENTS-FRAME GROUP	8
● ENGINE PARTS LIST	11
● FRAME PARTS LIST	35
● PART NO. INDEX	85

NO	MODEL			COLOR CHART OF KG10BA(FL)			
	PHOTO NO			NO. 1	NO. 2	NO. 3	NO. 4
	BASIC COLOR			Bright Blue	Deep Blue	Dark Gray Metallic	Black
	CODE			Bright Blue	Deep Blue	Dark Gray Metallic	Black
	PARTS NAME	PARTS NO.	VERSION	PB107CA	PB281MA	NH230MA	NH001SA
1	COVER FR	64301-ALA9-E70	0	BAP	CAP	HKP	N1P
2	COVER R BODY	83500-LDF6-B20	0				
3	COVER L BODY	83600-LDF6-B20	0				
4	COVER BATTERY	50326-LCB9-C10	0	N1R			
5	COVER UNDER	50613-LCB9-C10	0				
6	GRIP COMP THROT	53140-KNBN-C00	0				
7	GRIP L HANDLE	53166-KNBN-C00	0				
8	COVER HANDLE RR	53206-LGB5-E10	1				
9	PANEL FLOOR	64310-LCB9-C10	0				
10	PLUG FLOOR	64316-LCB9-C10	0				
11	FENDER RR TIRE	80100-LDC8-E10	0				
12	FENDER RR INNER	80101-LCB9-C10	1				
13	FENDER RR	80105-LDC8-E10	0				
14	FENDER RR LOW	80106-LDC8-E10	0				
15	COVER CENTER	80151-LCB9-C10	0				
16	LEG SHIELD	81131-ALA9-E70	1				
17	LID LEG SHIELD	81132-LCB9-C10	0				
18	BOX LUGGAGE	81250-LCB9-C10	2				
19	LID CARB MAINT	81251-LCB9-C10	0				
20	COVER COMP L SIDE	11340-LBD6-E00	2				
21	WHEEL CAST FR	44601-KEB7-E0E	1	NEP			
22	WHEEL CAST RR	42601-KEB7-E0E	0				
23	COVER HANDLE FR	53205-LGB5-E10	1				
24	FENDER FR	61100-LDC8-E10	0				
25	MIRROR ASSY R BACK	88110-LEB5-C10	1				
DATE OF STARTING-SALES							
DATE OF END-SALES							

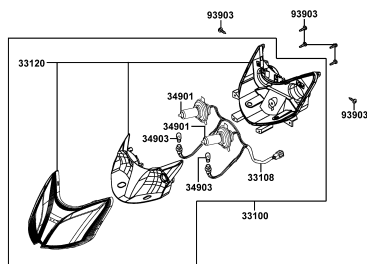
NO	MODEL			COLOR CHART OF KG10BA(FL)			
	PHOTO NO			NO. 5	NO. 6	NO. 7	
	BASIC COLOR			Red	Vivid Yellow	Pearly White	
	CODE			Red	Vivid Yellow	Pearly White	
	PARTS NAME	PARTS NO.	VERSION	RR123PA	YR039SA	NH193PA	
1	COVER FR	64301-ALA9-E70	0	R6P	Y3P	NVP	
2	COVER R BODY	83500-LDF6-B20	0				
3	COVER L BODY	83600-LDF6-B20	0				
4	COVER BATTERY	50326-LCB9-C10	0	N1R			
5	COVER UNDER	50613-LCB9-C10	0				
6	GRIP COMP THROT	53140-KNBN-C00	0				
7	GRIP L HANDLE	53166-KNBN-C00	0				
8	COVER HANDLE RR	53206-LGB5-E10	1				
9	PANEL FLOOR	64310-LCB9-C10	0				
10	PLUG FLOOR	64316-LCB9-C10	0				
11	FENDER RR TIRE	80100-LDC8-E10	0				
12	FENDER RR INNER	80101-LCB9-C10	1				
13	FENDER RR	80105-LDC8-E10	0				
14	FENDER RR LOW	80106-LDC8-E10	0				
15	COVER CENTER	80151-LCB9-C10	0				
16	LEG SHIELD	81131-ALA9-E70	1				
17	LID LEG SHIELD	81132-LCB9-C10	0				
18	BOX LUGGAGE	81250-LCB9-C10	2	NEA			
19	LID CARB MAINT	81251-LCB9-C10	0				
20	COVER COMP L SIDE	11340-LBD6-E00	2	NEA			
21	WHEEL CAST FR	44601-KEB7-E0E	1				
22	WHEEL CAST RR	42601-KEB7-E0E	0				
23	COVER HANDLE FR	53205-LGB5-E10	1	NEP			
24	FENDER FR	61100-LDC8-E10	0				
25	MIRROR ASSY R BACK	88110-LEB5-C10	1				
DATE OF STARTING-SALES							
DATE OF END-SALES							

NO	MODEL			COLOR CHART OF KG10BA(FL)			
	PHOTO NO			NO. 1	NO. 2	NO. 3	NO. 4
	BASIC COLOR			Bright Blue	Deep Blue	Dark Gray Metallic	Black
	CODE			Bright Blue	Deep Blue	Dark Gray Metallic	Black
	PARTS NAME	PARTS NO.	VERSION	PB107CA	PB281MA	NH230MA	NH001SA
26	MIRROR ASSY L BACK	88120-LEB5-C10	1	NEP			
27	FORK ASSY FR R	51400-LDC8-E10	4	NGA			
28	FORK ASSY FR L	51500-LDC8-E10	4				
29	CALIPER ASSY FR	45200-ALA9-E70	0	NJA			
30	CUSHION ASSY RR	52400-LDC8-E10	2	R8S			
31	SEAT ASSY	77200-LDF7-E10	0	T01			
32	STRIPE B R LEG SHIELD	86734-ALA9-E70	0				
33	STRIPE B L LEG SHIELD	86735-ALA9-E70	0				
34	STRIPE KYMCO	87160-LDC8-E90	1				
35	CAUTION ANTI	87224-ALA9-E70	0				
36	LABEL TIRE	87505-LDC8-E10	3				
37	CAUTION SIDE STAND	87541-GAR1-E01	1				
38	MARK MAINT CAUTION	87542-GAR1-E01	2				
39	MARK DRIVE CAUTION	87560-GFY6-E01	3				
40	STRIPE R BODY COVER	86221-ALA9-E70	0				
41	STRIPE L BODY COVER	86231-ALA9-E70	0				
42	STRIPE R LEG SHIELD	86732-ALA9-E70	0				
43	STRIPE L LEG SHIELD	86733-ALA9-E70	0				
44	EMB K-LOGO 30MM	86102-KFA6-C10	0	T02			
DATE OF STARTING-SALES							
DATE OF END-SALES							

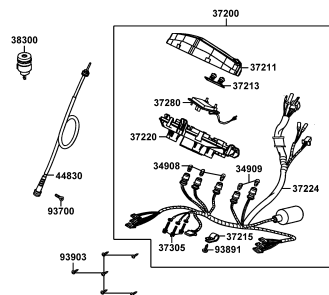
NO	MODEL			COLOR CHART OF KG10BA(FL)			
	PHOTO NO			NO. 5	NO. 6	NO. 7	
	BASIC COLOR			Red	Vivid Yellow	Pearly White	
	CODE			Red	Vivid Yellow	Pearly White	
	PARTS NAME	PARTS NO.	VERSION	RR123PA	YR039SA	NH193PA	
26	MIRROR ASSY L BACK	88120-LEB5-C10	1	NEP			
27	FORK ASSY FR R	51400-LDC8-E10	4	NGA			
28	FORK ASSY FR L	51500-LDC8-E10	4	NJ A			
29	CALIPER ASSY FR	45200-ALA9-E70	0	R8S			
30	CUSHION ASSY RR	52400-LDC8-E10	2	T01			
31	SEAT ASSY	77200-LDF7-E10	0				
32	STRIPE B R LEG SHIELD	86734-ALA9-E70	0				
33	STRIPE B L LEG SHIELD	86735-ALA9-E70	0				
34	STRIPE KYMCO	87160-LDC8-E90	1				
35	CAUTION ANTI	87224-ALA9-E70	0				
36	LABEL TIRE	87505-LDC8-E10	3				
37	CAUTION SIDE STAND	87541-GAR1-E01	1				
38	MARK MAINT CAUTION	87542-GAR1-E01	2				
39	MARK DRIVE CAUTION	87560-GFY6-E01	3				
40	STRIPE R BODY COVER	86221-ALA9-E70	0	T01	T03	T01	
41	STRIPE L BODY COVER	86231-ALA9-E70	0				
42	STRIPE R LEG SHIELD	86732-ALA9-E70	0				
43	STRIPE L LEG SHIELD	86733-ALA9-E70	0				
44	EMB K-LOGO 30MM	86102-KFA6-C10	0	T02			
DATE OF STARTING-SALES							
DATE OF END-SALES							

CONTENTS - FRAME GROUP

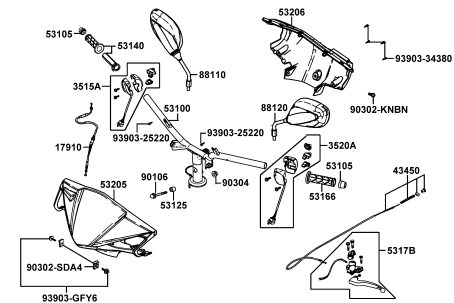
F01 Head Light



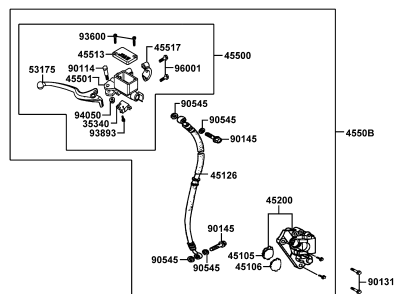
F02 Speedometer



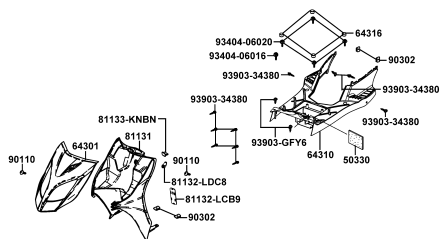
F03 Handle Steering Handle Cover



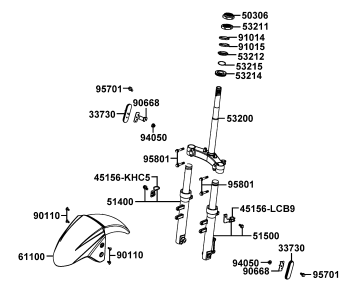
F04 Brake Master Cylinder



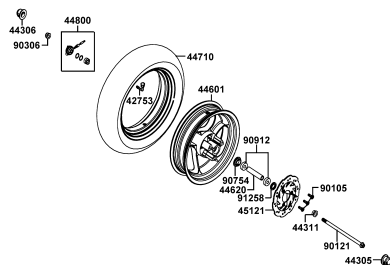
F05 Front Cover



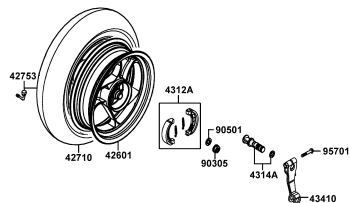
F06 Stem Steering Front Cushion



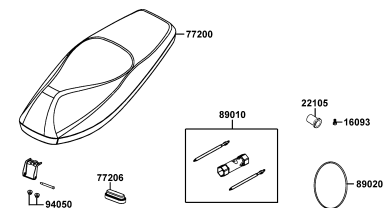
F07 Front Wheel



F08 Rear Wheel

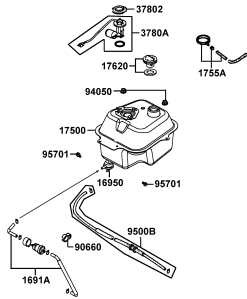


F09 Seat

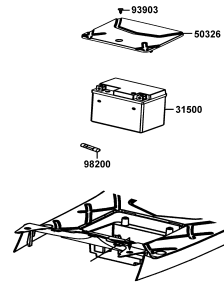


CONTENTS - FRAME GROUP

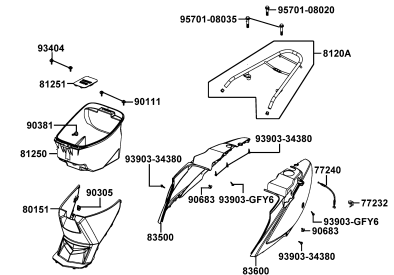
F10 Fuel Tank



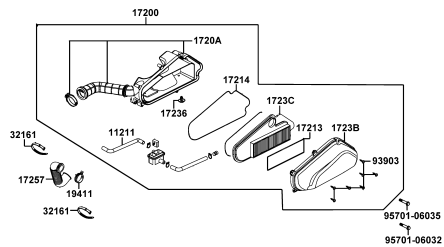
F11 Battery



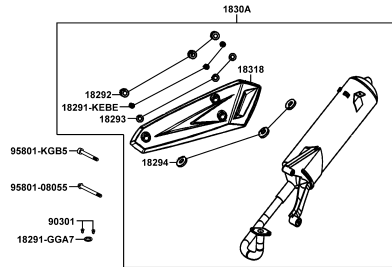
F12 Body Cover Luggage Box



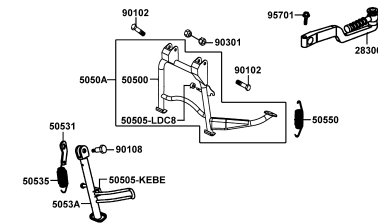
F13 Air Cleaner



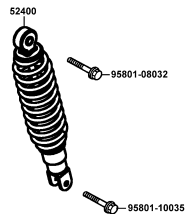
F14 Exhaust Muffler



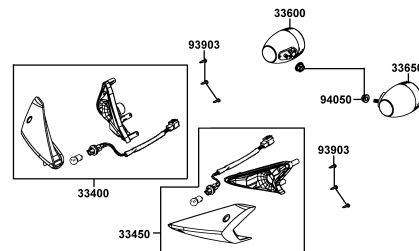
F15 Stand Kick Starter Arm



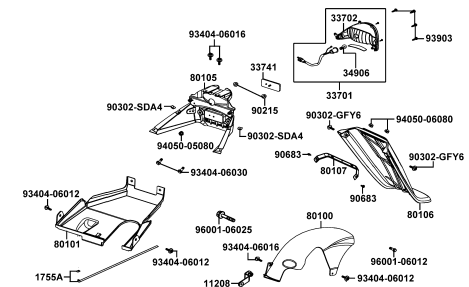
F16 Rear Cushion



F17 Front Winker

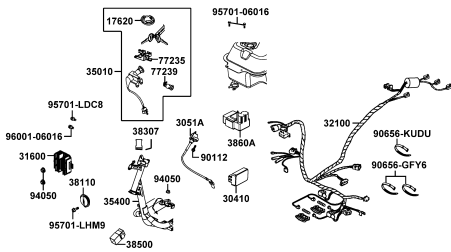


F18 Tail Light

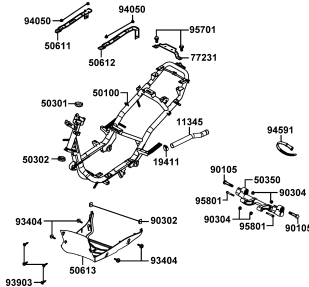


CONTENTS - FRAME GROUP

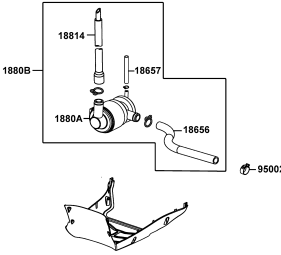
F19 Wire Harness



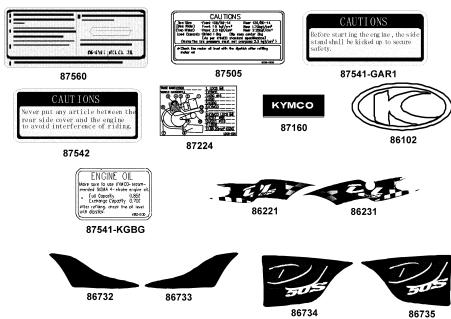
F20 Frame Body



F21 Air Cleaner Two

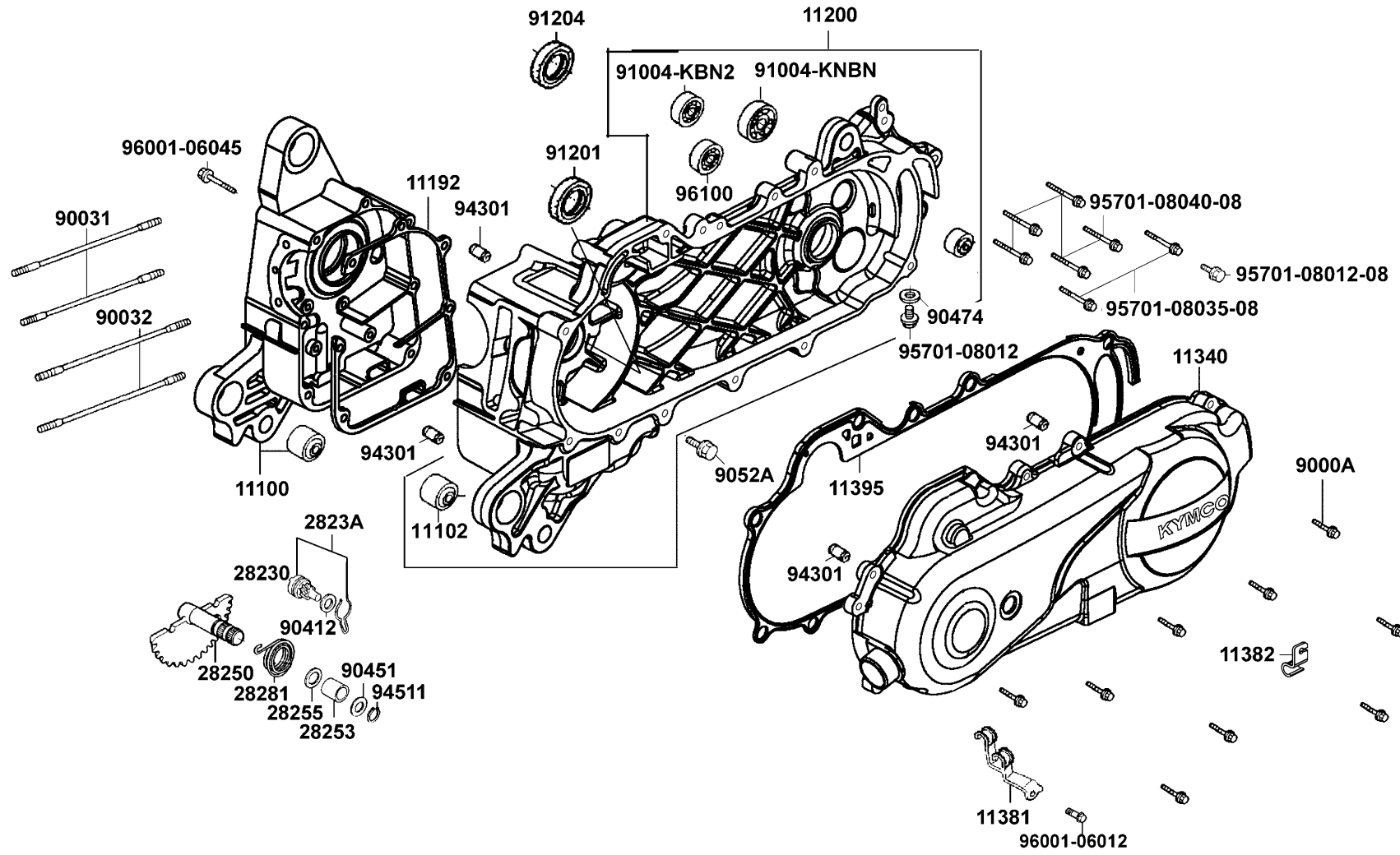


F22 Emblem Stripe



E01

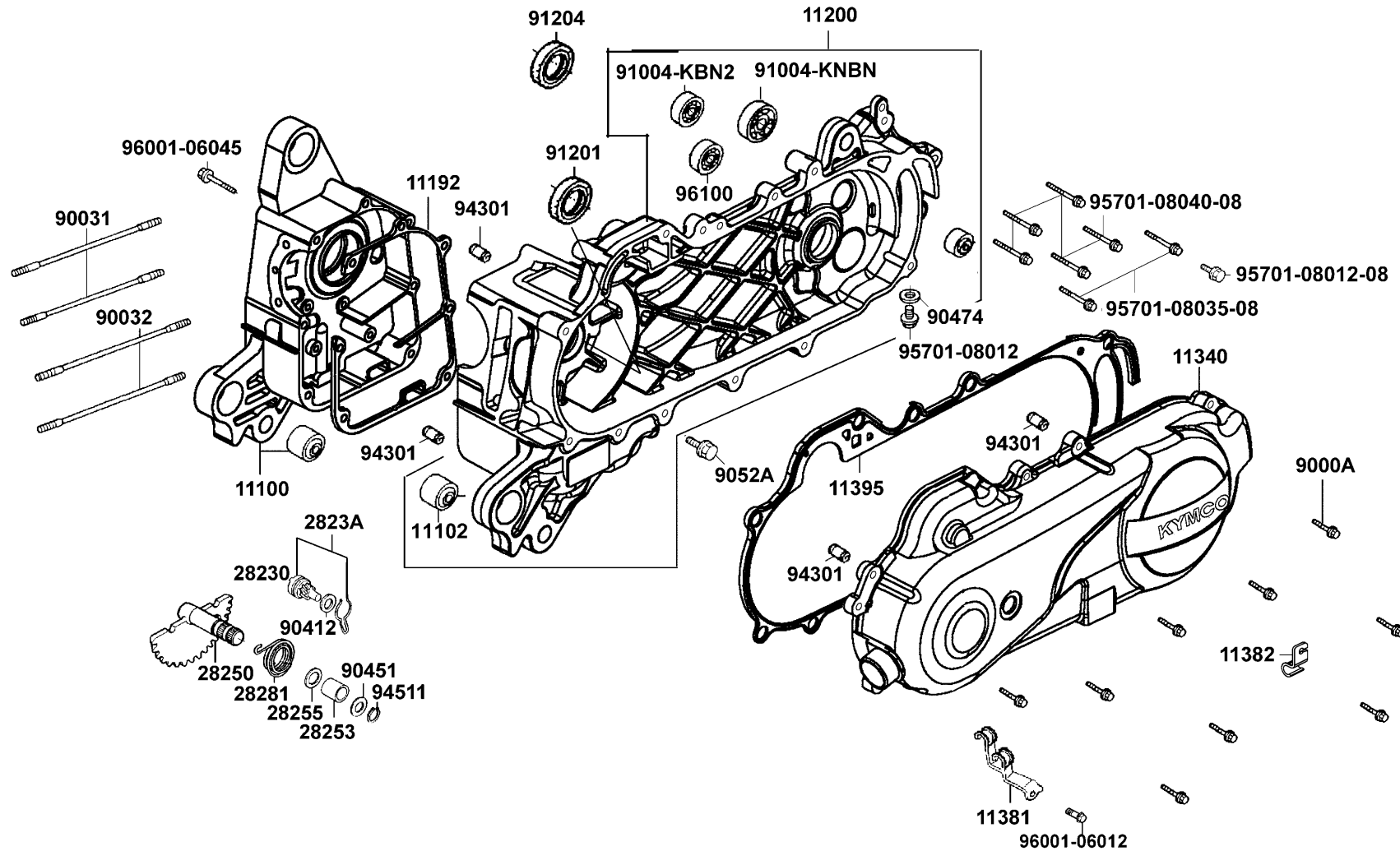
Crank Case



Sales mark	Ref no	Part no	Description	Reg description	Regd no	E01
	11100	11100-KGBG-C00	CRANK CASE COMP RIGHT	CRANK CASE COMP RIGHT	1	
	11102	11102-1G87-C00	RUB BUSH ENG HANGER	RUB BUSH ENG HANGER	1	
	11192	11192-KGBG-C10	GASKET CRANK CASE@A	GASKET CRANK CASE@A	1	
	11200	11200-LBD6-C00	CRANK CASE COMP LEFT	CRANK CASE COMP LEFT	1	
**	11340	11340-LBD6-E00	COVER COMP L SIDE	COVER COMP L SIDE	1	
	11381	11381-KHC4-C00	CLAMPER THROTTLE CABLE	CLAMPER THROTTLE CABLE	1	
	11382	11382-LBD6-C00	CLAMPER BRAKE CABLE	CLAMPER BRAKE CABLE	1	
	11395	11395-LBD6-C00	GASKET L COVER	GASKET L COVER	1	
	28230	28230-GHAH-7210	GEAR COMP KICK DRIVEN	GEAR COMP KICK DRIVEN	1	
	2823A	2823A-LBD6-C00	GEAR ASSY KICK DRIVEN	GEAR ASSY KICK DRIVEN	1	
	28250	28250-GBN2-C00	SPINDLE COMP KICK STARTER	SPINDLE COMP KICK STARTER	1	
	28253	28253-GBN2-C00	BUSH KICK SPINDLE	BUSH KICK SPINDLE	1	
	28255	28255-GFS6-C00	COLLAR KICK BOSS	COLLAR KICK BOSS	1	
	28281	28281-GBN2-C00	SPRING KICK RETURN	SPRING KICK RETURN	1	
	9000A	9000A-KTDT-C00	BOLT ASSY SPECIAL 6*29.5	BOLT ASSY SPECIAL 6*29.5	1	
	90031	90031-KGBG-C00	BOLT A STUD 7x168	BOLT A STUD 7x168	1	
	90032	90032-KGBG-C00	BOLT B STUD 7*176	BOLT B STUD 7*176	1	
	90412	90412-3K29-C00	WASHER THRUST 10M/M	WASHER THRUST 10M/M	1	
	90451	90451-GBN2-C00	WASHER KICK SPINDLE	WASHER KICK SPINDLE	1	
	90474	90474-3C33-C00	WASHER 8MM(T*2)	WASHER 8MM(T*2)	1	

E01

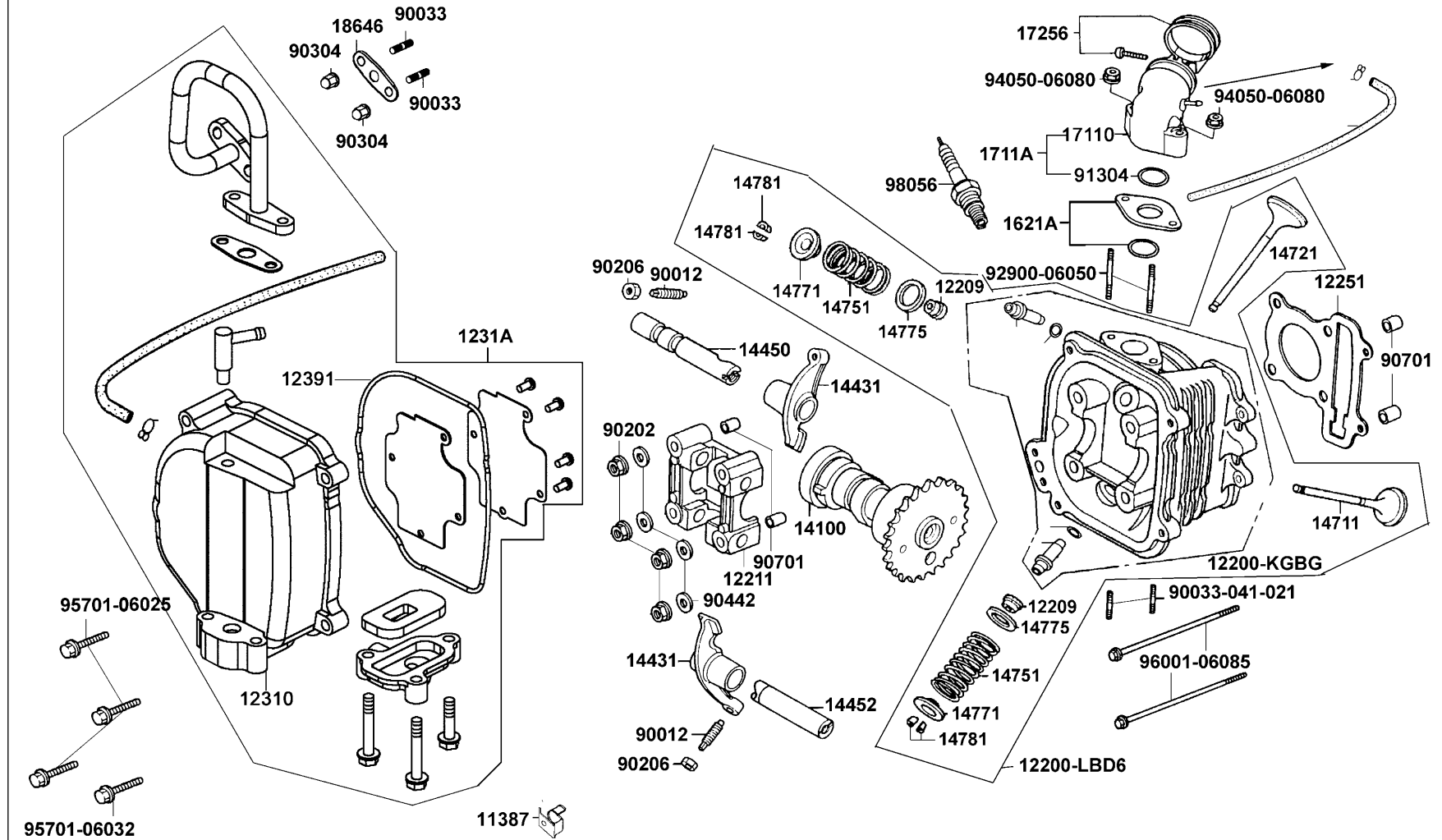
Crank Case



Sales mark	Ref no	Part no	Description	Reg description	Regd no	E01
9052A		9052A-GFY6-C00	BOLT ASSY DRAIN PLUG	BOLT ASSY DRAIN PLUG	1	
91004-KBN2		91004-KBN2-C00	BRG BALL RADIAL 6201	BRG BALL RADIAL 6201	1	
91004-KNBN		91004-KNBN-C00	BRG BALL RADIAL 6203 SPC	BRG BALL RADIAL 6203 SPC	1	
91201		91201-GFY6-C00	OIL SEAL 19.8*30*5	OIL SEAL 19.8*30*5	1	
91204		91204-KNBN-C00	OIL SEAL 17*30*6	OIL SEAL 17*30*6	1	
94301		94301-08140	DOWEL PIN 8*14	DOWEL PIN 8*14	4	
94511		94511-14000	CIRCLIP EX 14	CIRCLIP EX 14	1	
95701-08012		95701-08012-08	BOLT FLANGE 8*12	BOLT FLANGE 8*12	2	
95701-08035		95701-08035-08	BOLT FLANGE 8*35	BOLT FLANGE 8*35	2	
95701-08040		95701-08040-08	BOLT FLANGE 8*40	BOLT FLANGE 8*40	5	
96001-06012		96001-06012-02	BOLT FLANGE SH 6*12	BOLT FLANGE SH 6*12	1	
96001-06045		96001-06045-08	BOLT FLANGE SH 6*45	BOLT FLANGE SH 6*45	1	
96100		96100-62033-00	BEARING BALL RADIAL 6203	BEARING BALL RADIAL 6203	1	

E02

Cylinder Head

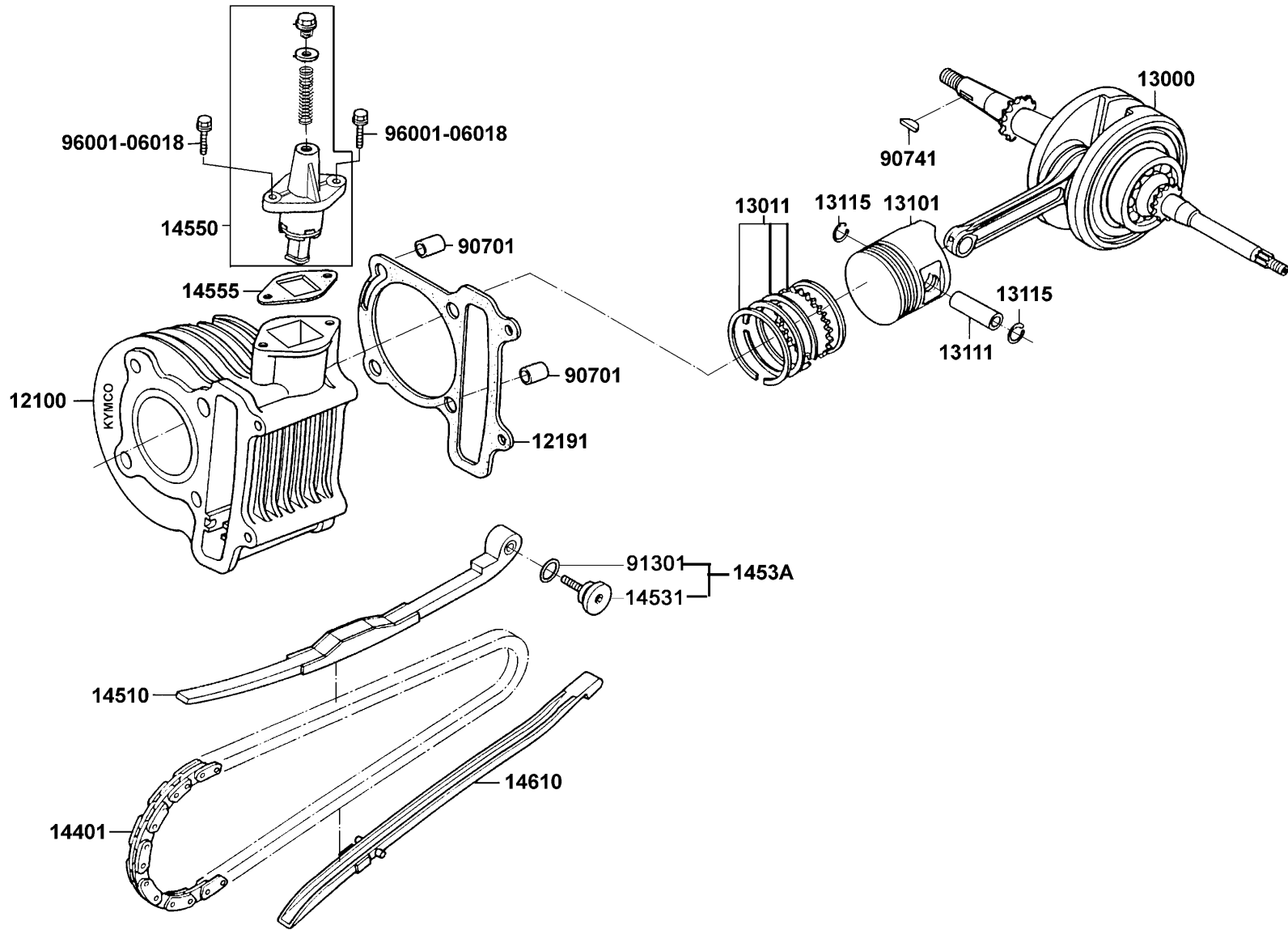


Sales mark	Ref no	Part no	Description	Reg description	Regd no	E02
	11387	11387-KGBG-C00	CLAMPER BREATHER TUBE	CLAMPER BREATHER TUBE	1	
	12200	12200-KGBG-C10	CYLINDER ASSY	CYLINDER ASSY	1	
	12200-LBD6	12200-LBD6-C00	HEAD SET, CYLIN	HEAD SET, CYLIN	1	
	12209	12209-GDB4-68A	SEAL VALVE STEM	SEAL VALVE STEM	2	
	12211	12211-KGBG-C00	HOLDER CAM SHAFT	HOLDER CAM SHAFT	1	
	12251	12251-KGBG-C00	GASKET CYLINDER HEAD	GASKET CYLINDER HEAD	1	
	12310	12310-KHC5-C00	COVER COMP HEAD	COVER COMP HEAD	1	
	1231A	1231A-KHC5-C10	COVER ASSY HEAD	COVER ASSY HEAD	1	
	12391	12391-KEE1-C00	GASKET HEAD COVER	GASKET HEAD COVER	1	
	14100	14100-KGBG-C00	SHAFT COMP CAM	SHAFT COMP CAM	1	
	14431	14431-KGBG-W10	ARM VALVE ROCKER	ARM VALVE ROCKER	2	
	14450	14450-KGBG-W10	SHAFT COMP IN ROCKER ARM	SHAFT COMP IN ROCKER ARM	1	
	14452	14452-KGBG-W10	SHAFT EXH ROCKER ARM	SHAFT EXH ROCKER ARM	1	
	14711	14711-KGBG-C00	VALVE INLET	VALVE INLET	1	
	14721	14721-KGBG-C00	VALVE EXHAUST	VALVE EXHAUST	1	
	14751	14751-KGBG-C00	SPRING VALVE OUTER	SPRING VALVE OUTER	1	
	14771	14771-GDB4-C00	RETAINER VALVE SPRING	RETAINER VALVE SPRING	1	
	14775	14775-MFA6-C00	SEAT VALVE SPG OUTER	SEAT VALVE SPG OUTER	1	
	14781	14781-MFA6-C00	COTTER VALVE	COTTER VALVE	1	
	1621A	1621A-KGBG-C00	INSULATOR CARB ASSY	INSULATOR CARB ASSY	1	

Sales mark	Ref no	Part no	Description	Reg description	Regd no	E02
	17110	17110-KGBG-C00	PIPE COMP INLET	PIPE COMP INLET	1	
	1711A	1711A-LBD6-C00	PIPE ASSY INLET	PIPE ASSY INLET	1	
	17256	17256-KGBG-C00	BAND INSULATOR	BAND INSULATOR	1	
	18646	18646-GFY6-C10	GASKET A/I PIPE	GASKET A/I PIPE	1	
	90012	90012-3C33-C00	SCREW TAPPET ADJUSTING	SCREW TAPPET ADJUSTING	1	
	90033-041	90033-0A41-C00	BOLT STUD 6*32	BOLT STUD 6*32	1	
	90033-GFY6	90033-GFY6-C10	BOLT STUD 6*16	BOLT STUD 6*16	1	
	90202	90202-GFF6-011	NUT FLANGE 7M/M	NUT FLANGE 7M/M	4	
	90206	90206-0A01-001	NUT TAPPET ADJG	NUT TAPPET ADJG	2	
	90304	90304-4H38-C00	NUT HEX CAP 6MM	NUT HEX CAP 6MM	1	
	90442	90442-GFF6-C00	WASHER SEALING 7MM	WASHER SEALING 7MM	1	
	90701	90701-GFF6-C00	PIN DOWEL SPECIAL 8*14	PIN DOWEL SPECIAL 8*14	1	
	91304	91304-KGBG-C00	O-RING 20.6*2.0	O-RING 20.6*2.0	1	
	92900-06050	92900-06050-0B	BOLT STUD 6*50	BOLT STUD 6*50	0	
	94050-06080	94050-06080	NUT FLANGE 6MM	NUT FLANGE 6MM	2	
	95701-06025	95701-06025-08	BOLT FLANGE 6*25	BOLT FLANGE 6*25	3	
	95701-06032	95701-06032-08	BOLT FLANGE 6*32	BOLT FLANGE 6*32	1	
	96001	96001-06085-08	BOLT FLANGE SH 6*85	BOLT FLANGE SH 6*85	2	
	98056	98056-5771R-00-M2	SPARK PLUG (P-RZ9HC)/KD	SPARK PLUG (P-RZ9HC)/KD	1	

E03

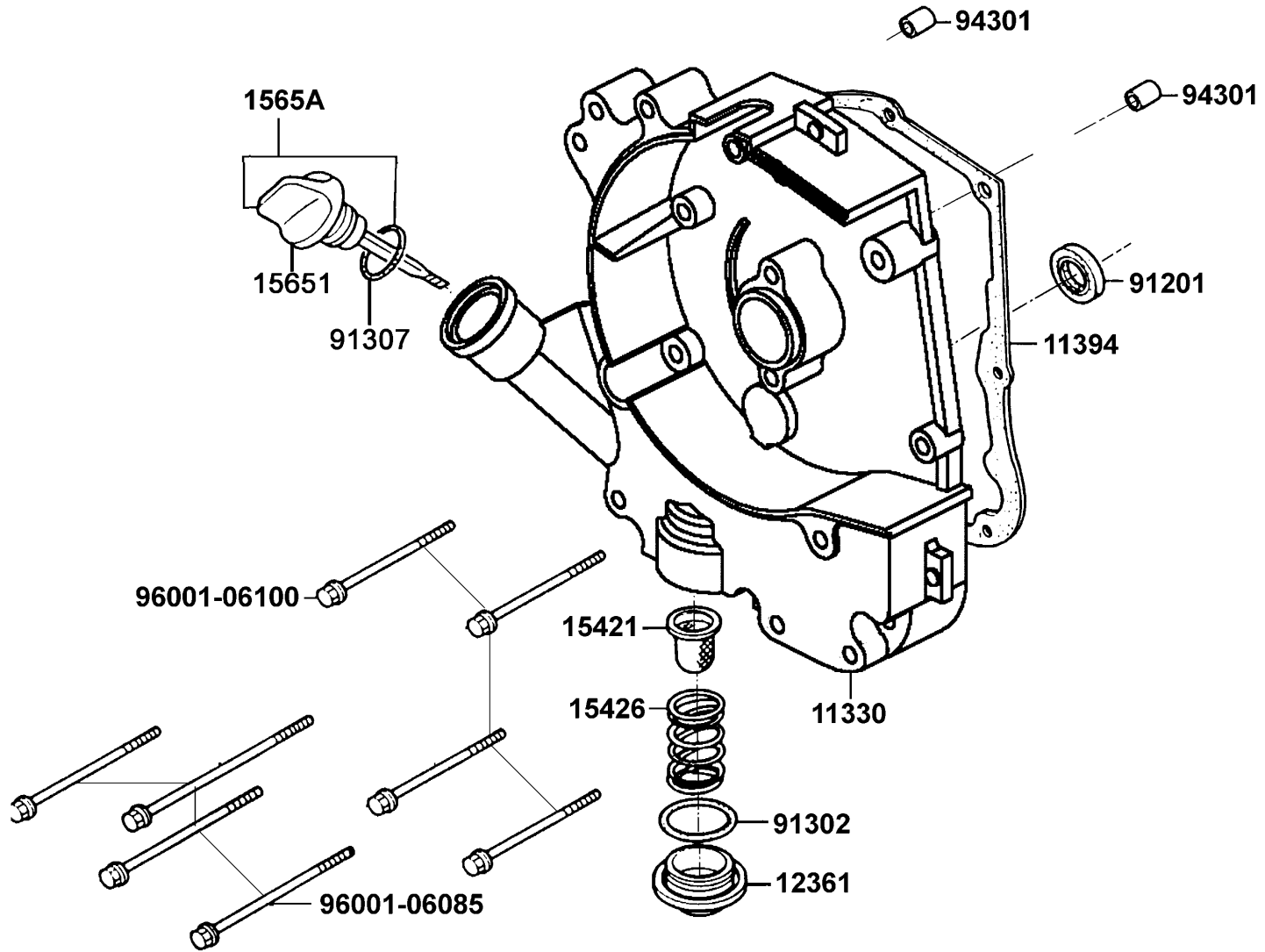
Cylinder Piston Crankshaft



Sales mark	Ref no	Part no	Description	Reg description	Regd no	E03
12100		12100-KGBG-A60	CYLINDER COMP	CYLINDER COMP	1	
12191		12191-KGBG-C10	GASKET CYLINDER@A	GASKET CYLINDER@A	1	
13000		13000-LDC5-C00	CRANK SHAFT COMP	CRANK SHAFT COMP	1	
13011		13011-KGBG-C00	RING ASSY PISTON	RING ASSY PISTON	1	
13101		13101-LCB9-B20	PISTON	PISTON	1	
13111		13111-KGBG-C00	PIN PISTON	PIN PISTON	1	
13115		13115-0A01-C00	PISTON PIN CLIP	PISTON PIN CLIP	1	
14401		14401-KGBG-900	CHAIN CAM	CHAIN CAM	1	
14510		14510-KGBG-C00	TENSIONER CAM CHAIN	TENSIONER CAM CHAIN	1	
14531		14531-GLR0-W10	PIVOT CAM CHAIN TENSIONER	PIVOT CAM CHAIN TENSIONER	1	
1453A		1453A-GFY6-W10	PIVOT CAM CHAIN SET	PIVOT CAM CHAIN SET	1	
14550		14550-KDS4-C00	ADJUSTER CAM CHAIN	ADJUSTER CAM CHAIN	1	
14555		14555-KKJ9-C10	GASKET CAM CHAIN ADJUSTER	GASKET CAM CHAIN ADJUSTER	1	
14610		14610-KGBG-C00	GUIDE COMP CAM CHAIN	GUIDE COMP CAM CHAIN	1	
90701		90701-GFF6-C00	PIN DOWEL SPECIAL 8*14	PIN DOWEL SPECIAL 8*14	1	
90741		90741-0E35-C00	KEY WOODRUFF	KEY WOODRUFF	1	
91301		91301-GLR0-W10	O-RING 15.2*1.5	O-RING 15.2*1.5	1	
96001		96001-06018-08	BOLT FLANGE SH 6*18	BOLT FLANGE SH 6*18	2	

E04

Right Crankcase Cover

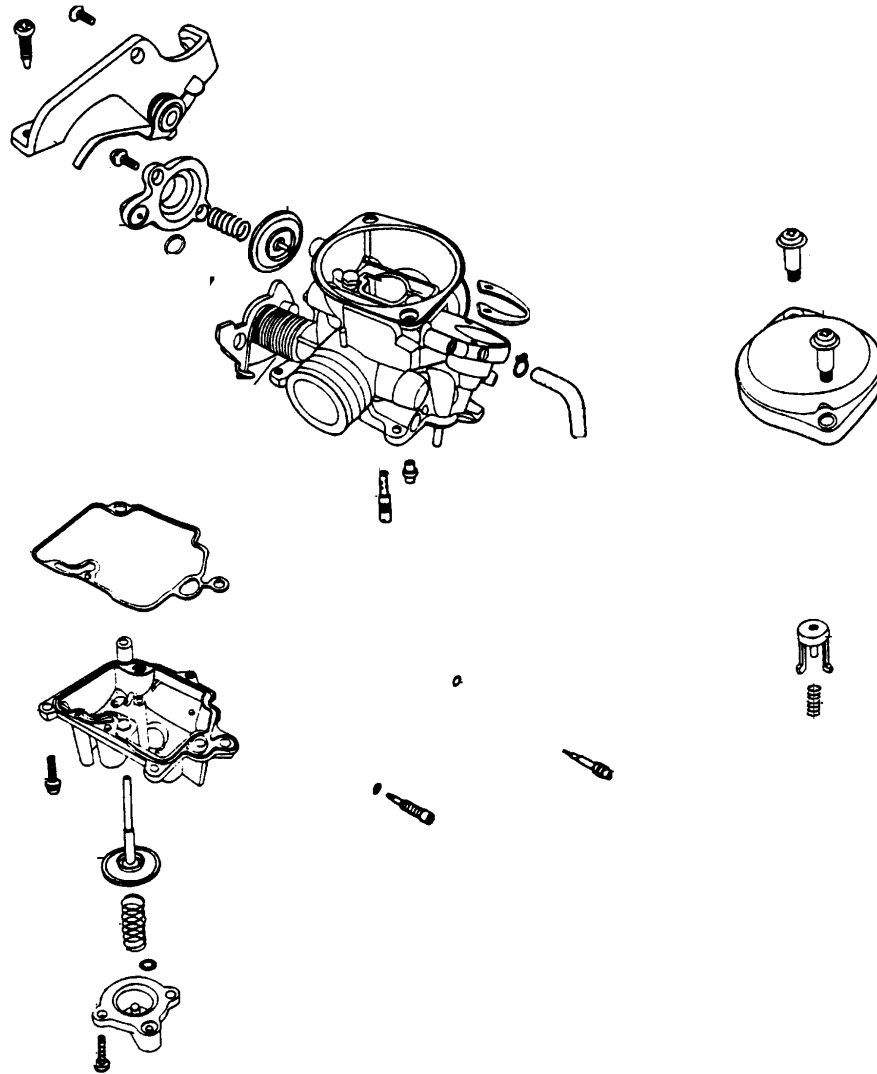


Sales mark	Ref no	Part no	Description	Reg description	Regd no	E04
11330		11330-LBD6-C00	COVER COMP R CRANK CASE	COVER COMP R CRANK CASE	1	
11394		11394-KGBG-C11	GASKET R COVER	GASKET R COVER	1	
12361		12361-GFY6-C00	HOLE CAP TAPPET ADJUSTING	HOLE CAP TAPPET ADJUSTING	1	
15421		15421-1G07-W10	SCREEN OIL FILTER	SCREEN OIL FILTER	1	
15426		15426-GAE1-C00	SPG OIL FILTER SCREEN	SPG OIL FILTER SCREEN	1	
15651		15651-GFY6-C00	GAUGE OIL LEVEL	GAUGE OIL LEVEL	1	
1565A		1565A-GFY6-W10	GAUGE OIL LEVEL ASSY	GAUGE OIL LEVEL ASSY	1	
91201		91201-KGBG-C00	OIL SEAL 16.4*30*5	OIL SEAL 16.4*30*5	1	
91302		91302-0A01-C00	O-RING 30.8MM	O-RING 30.8MM	1	
91307		91307-0E35-W10	O-RING 18*3	O-RING 18*3	1	
94301		94301-08140	DOWEL PIN 8*14	DOWEL PIN 8*14	2	
96001-06085		96001-06085-08	BOLT FLANGE SH 6*85	BOLT FLANGE SH 6*85	4	
96001-06100		96001-06100-08	BOLT FLANGE SH 6*100	BOLT FLANGE SH 6*100	4	

E05

Carburetor

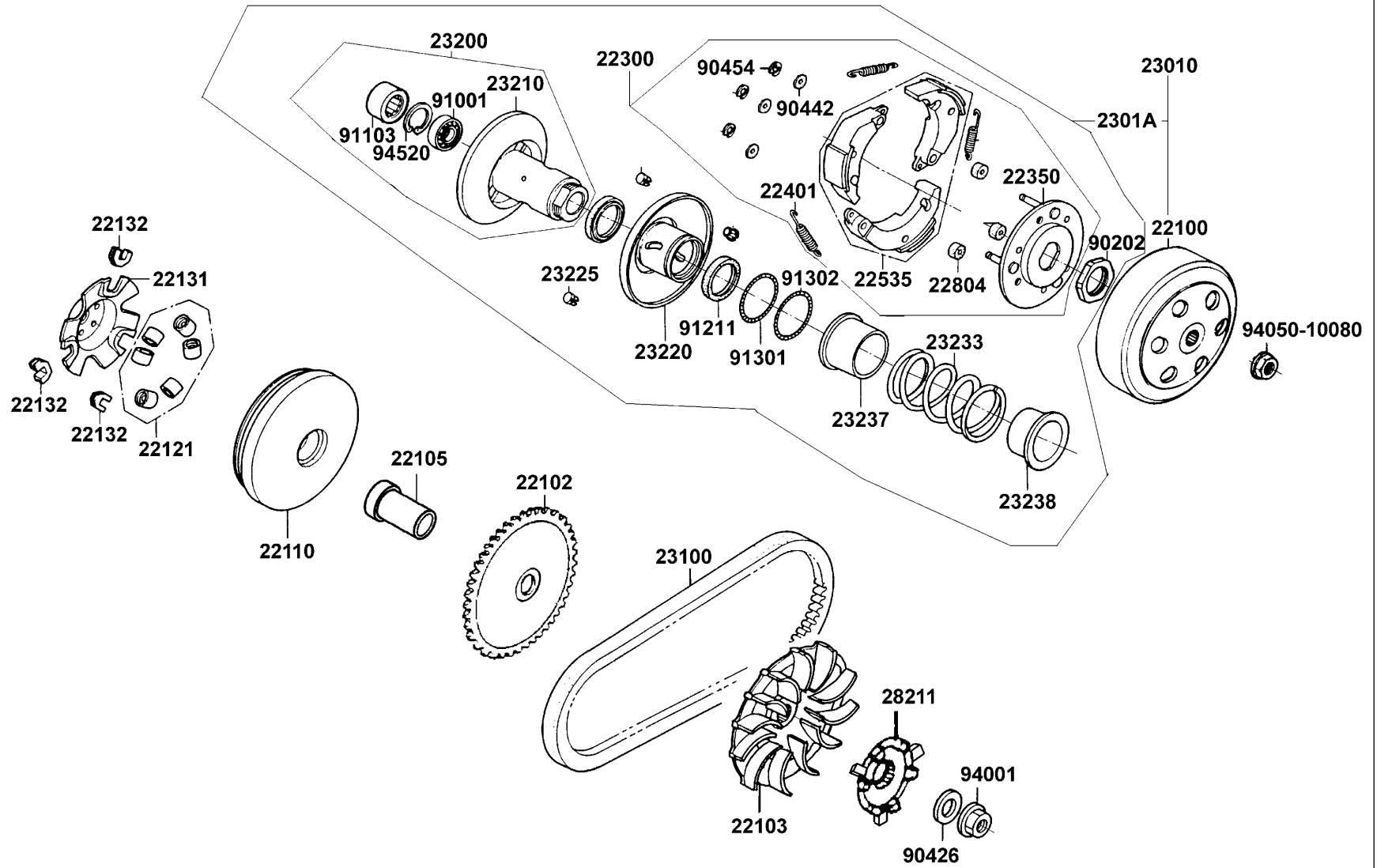
16100



Sales mark	Ref no	Part no	Description	Reg description	Regd no	E05
16100	16100-ALA9-E70	CARBURETOR ASSY	CARBURETOR ASSY	CARBURETOR ASSY	1	

E06

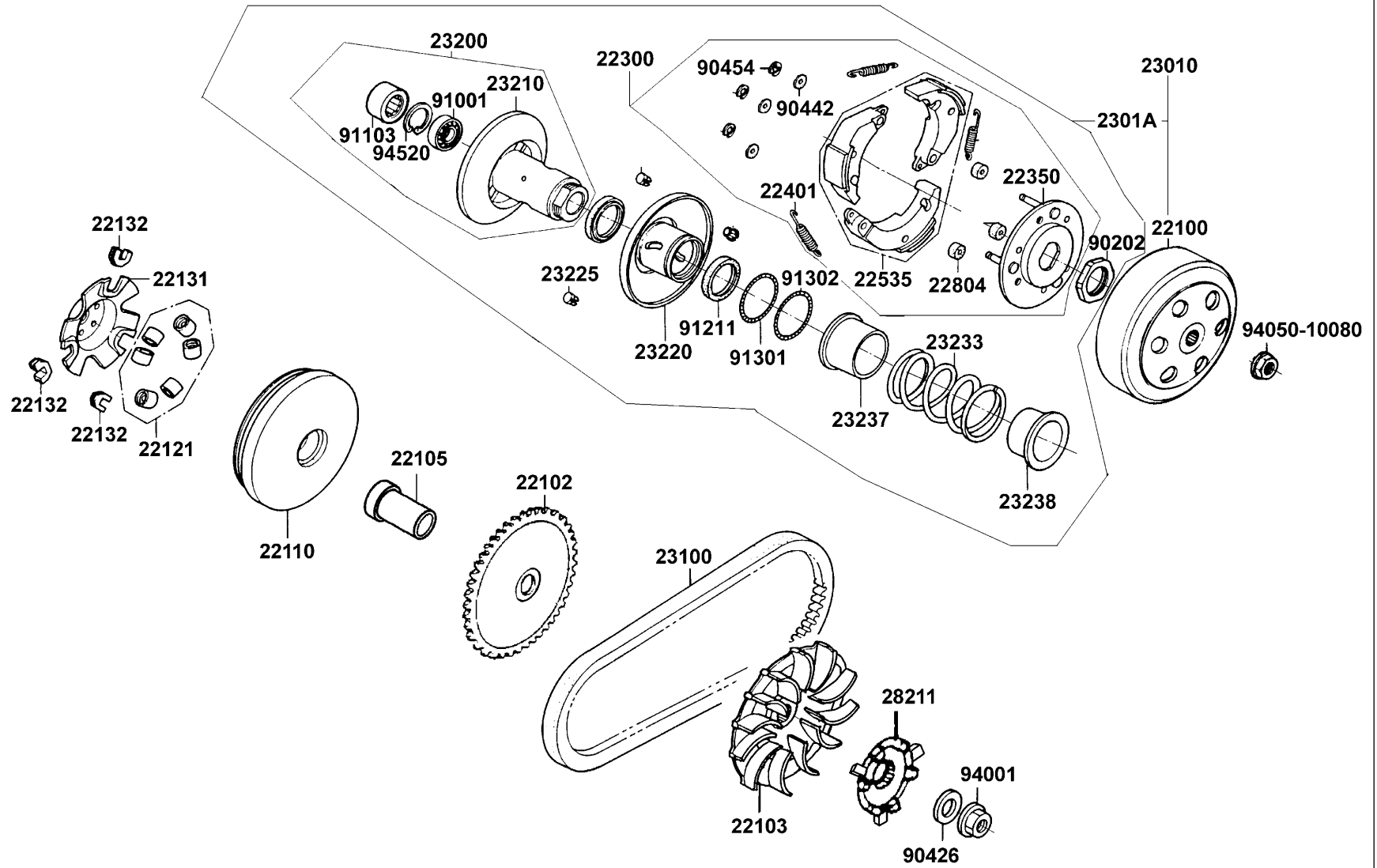
Driven Pulley



Sales mark	Ref no	Part no	Description	Reg description	Regd no	E06
	22100	22100-LDC8-E10	CLUTCH OUTER	CLUTCH OUTER	1	
	22102	22102-LDC8-E10	FACE DRIVE	FACE DRIVE	1	
	22103	22103-KEB7-C00	FAN CVT COOLING	FAN CVT COOLING	1	
	22105	22105-LBD6-C00	BOSS DRIVE FACE	BOSS DRIVE FACE	1	
	22110	22110-LDC8-E10	FACE COMP MOVABLE DRIVE	FACE COMP MOVABLE DRIVE	1	
	22121	22121-LBD6-C00	ROLLER COMP WEIGHT 6.5g	ROLLER COMP WEIGHT 6.5g	1	
	22131	22131-GHAH-C00	PLATE RAMP	PLATE RAMP	1	
	22132	22132-GLW0-C00	PIECE SLIDE	PIECE SLIDE	1	
	22300	22300-LDC8-E10	PLATE ASSY DRIVE	PLATE ASSY DRIVE	1	
	22350	22350-GKAK-C00	PLATE COMP DRIVE	PLATE COMP DRIVE	1	
	22401	22401-LDC8-C10	SPRING CLUTCH	SPRING CLUTCH	0	
	22535	22535-GKAK-C00	WEIGHT SET CLUTCH	WEIGHT SET CLUTCH	1	
	22804	22804-1H48-C00	RUBBER CLUTCH DUMPER	RUBBER CLUTCH DUMPER	1	
	23010	23010-LDC8-C10	PULLEY ASSY DRIVEN	PULLEY ASSY DRIVEN	1	
	2301A	2301A-LDC8-E10	PULLEY SUB ASSY	PULLEY SUB ASSY	1	
	23100	23100-KEB7-C00	BELT DRIVE	BELT DRIVE	1	
	23200	23200-GAR1-C00	FACE ASSY DRIVEN	FACE ASSY DRIVEN	1	
	23210	23210-GAR1-C00	FACE COMP DRIVEN	FACE COMP DRIVEN	1	
	23220	23220-LDC8-C10	FACE COMP MOVABLE	FACE COMP MOVABLE	1	
	23225	23225-GAR1-C00	PIN GUIDE	PIN GUIDE	1	

E06

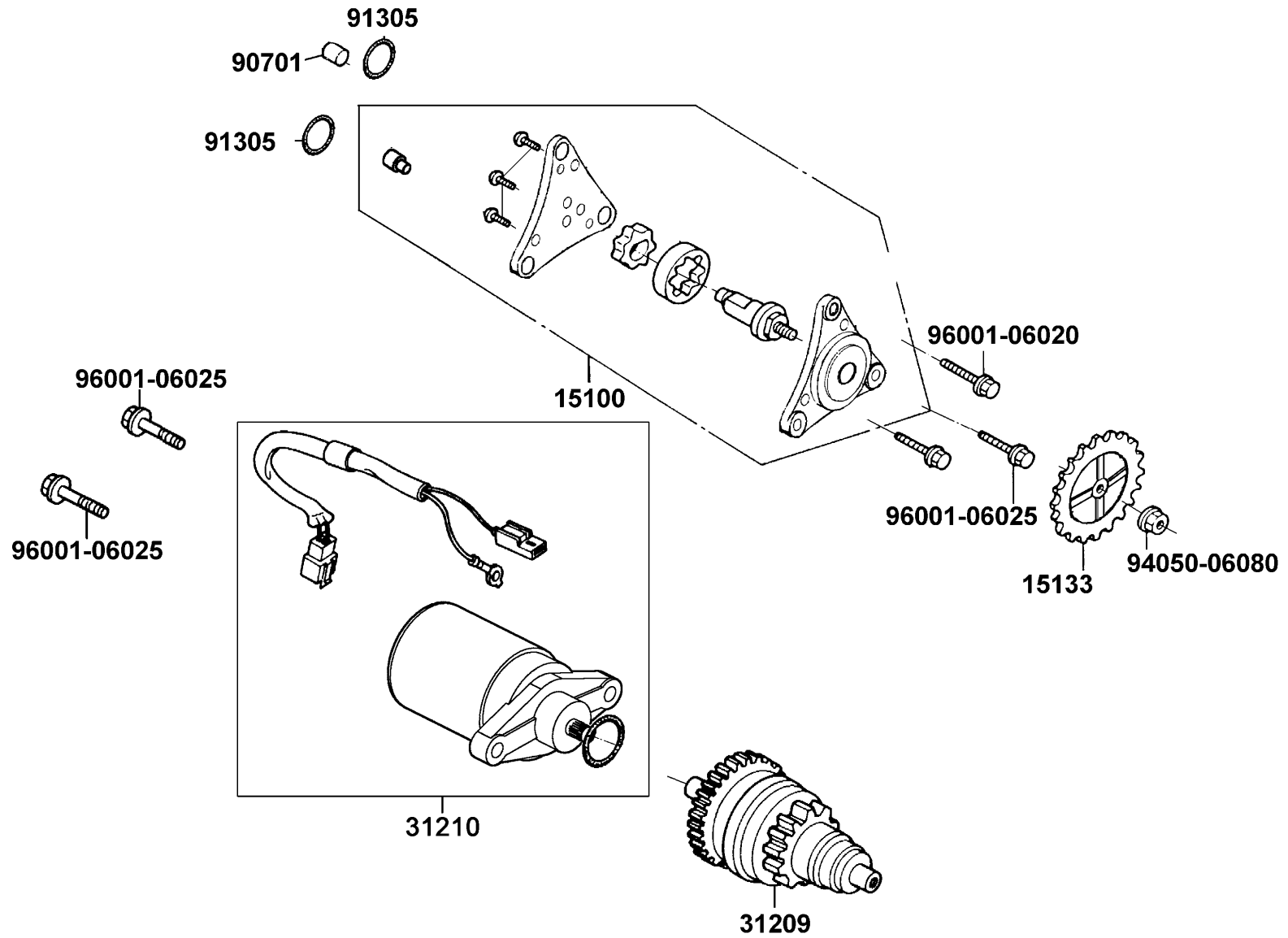
Driven Pulley



Sales mark	Ref no	Part no	Description	Reg description	Regd no	E06
23233		23233-KEE1-C00	SPG DRIVEN FACE	SPG DRIVEN FACE	1	
23237		23237-GAR1-C00	COLLAR SEAL	COLLAR SEAL	1	
23238		23238-GGS7-C00	COLLAR SPG	COLLAR SPG	1	
28211		28211-KEB7-W10	RATCHET KICK STARTER	RATCHET KICK STARTER	1	
90202		90202-1G87-C00	NUT SPECIAL 28MM	NUT SPECIAL 28MM	1	
90426		90426-KNBN-C00	WASHER SPECIAL 12MM	WASHER SPECIAL 12MM	1	
90442		90442-0D44-C00	WASHER THRUST 6M/M	WASHER THRUST 6M/M	1	
90454		90454-GBB2-C00	CIR CLIP 6MM	CIR CLIP 6MM	1	
91001		91001-GGA7-C00	BRG RADIAL BALL 6901U	BRG RADIAL BALL 6901U	1	
91103		91103-GAR1-C00	BRG NEEDLE 17*25*18 WS	BRG NEEDLE 17*25*18 WS	1	
91211		91211-KEE1-C00	OIL SEAL 34*39*3	OIL SEAL 34*39*3	1	
91301		91301-KEE1-C00	O-RING 36*1.5	O-RING 36*1.5	1	
91302		91302-KEE1-C00	O-RING 39.8*2.2	O-RING 39.8*2.2	1	
94001		94001-12280-0S	NUT HEX 12MM	NUT HEX 12MM	1	
94050		94050-10080	NUT FLANGE 10MM	NUT FLANGE 10MM	1	
94520		94520-24000	CIR CLIP IN 24	CIR CLIP IN 24	1	

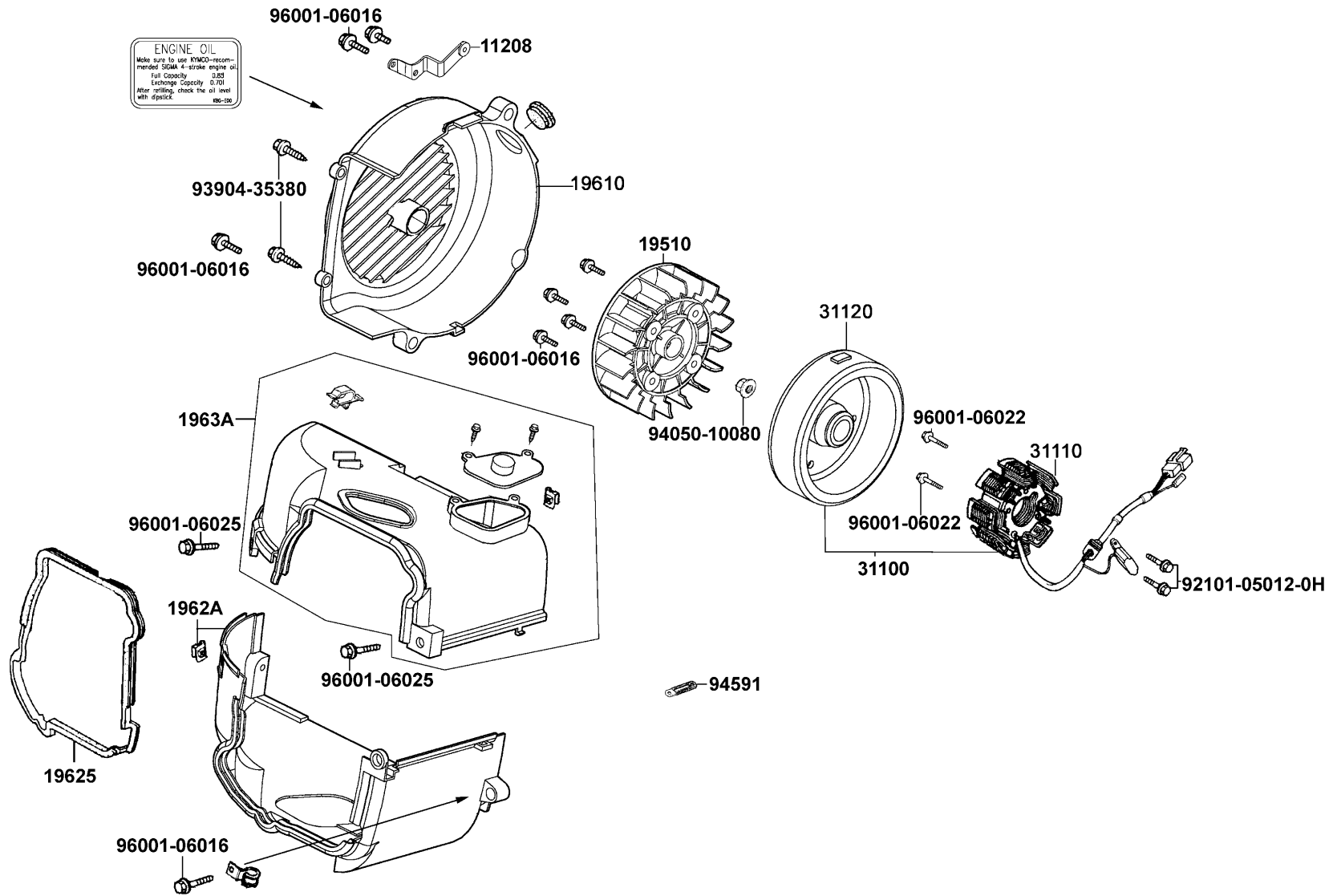
E07

Starting Motor Oil Pump

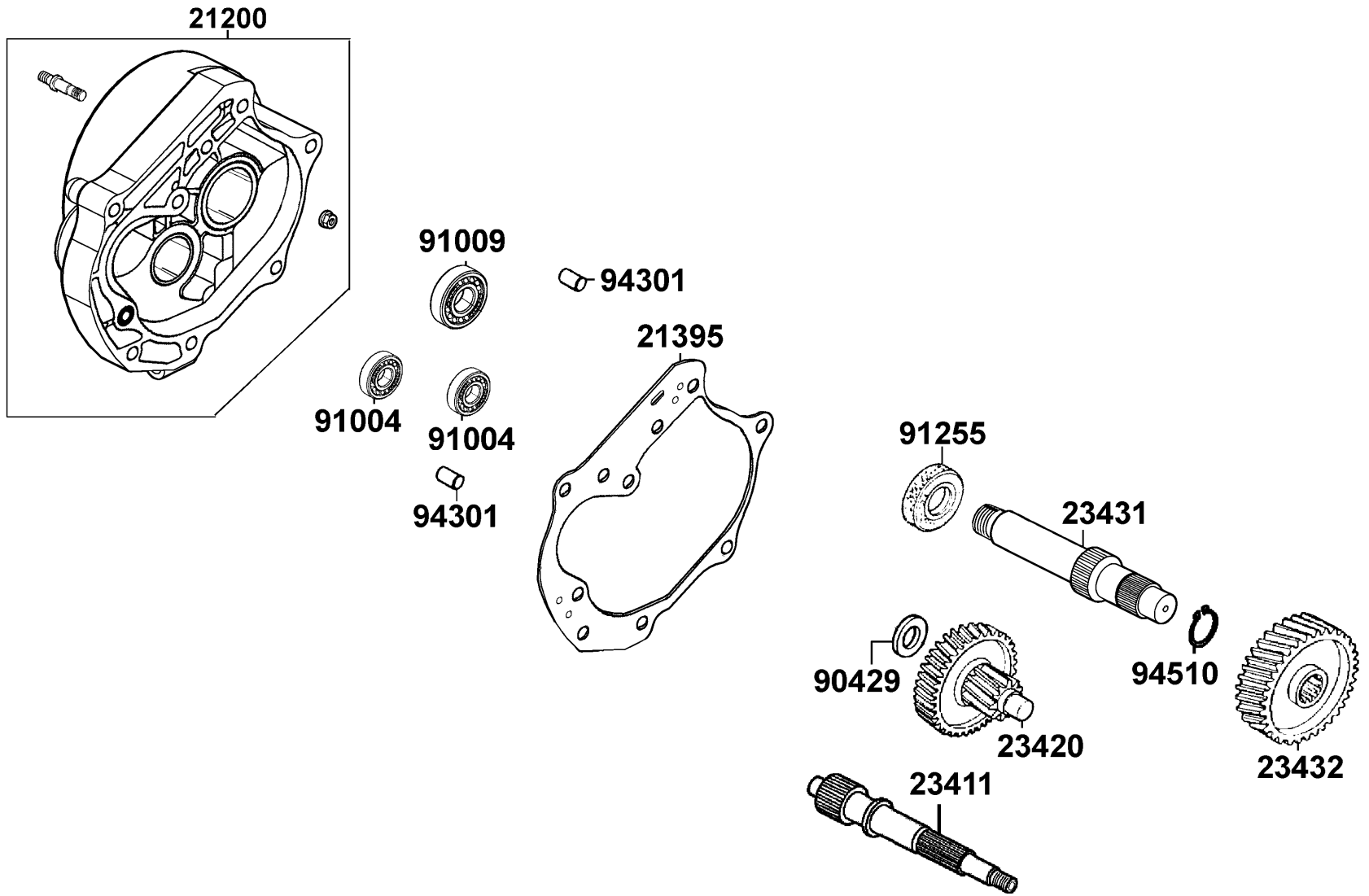


Sales mark	Ref no	Part no	Description	Reg description	Regd no	E07
	15100	15100-LDC5-C00	PUMP ASSY OIL	PUMP ASSY OIL	1	
	15133	15133-LDC5-C00	GEAR OIL PUMP DRIVEN	GEAR OIL PUMP DRIVEN	1	
	31209	31209-KEE1-C00	PINION ASSY STARTER	PINION ASSY STARTER	1	
	31210	31210-KEE1-900	MOTOR UNIT START	MOTOR UNIT START	1	
	90701	90701-HDC4-C00	DOWEL PIN 8*12	DOWEL PIN 8*12	1	
	91305	91305-0H28-C00	O-RING 9*1.6	O-RING 9*1.6	1	
	94050-06080	94050-06080	NUT FLANGE 6MM	NUT FLANGE 6MM	1	
	96001-06020	96001-06020-08	BOLT FLANGE SH 6*20	BOLT FLANGE SH 6*20	2	
	96001-06025	96001-06025-08	BOLT FLANGE SH 6*25	BOLT FLANGE SH 6*25	3	

Fan Cover Generator



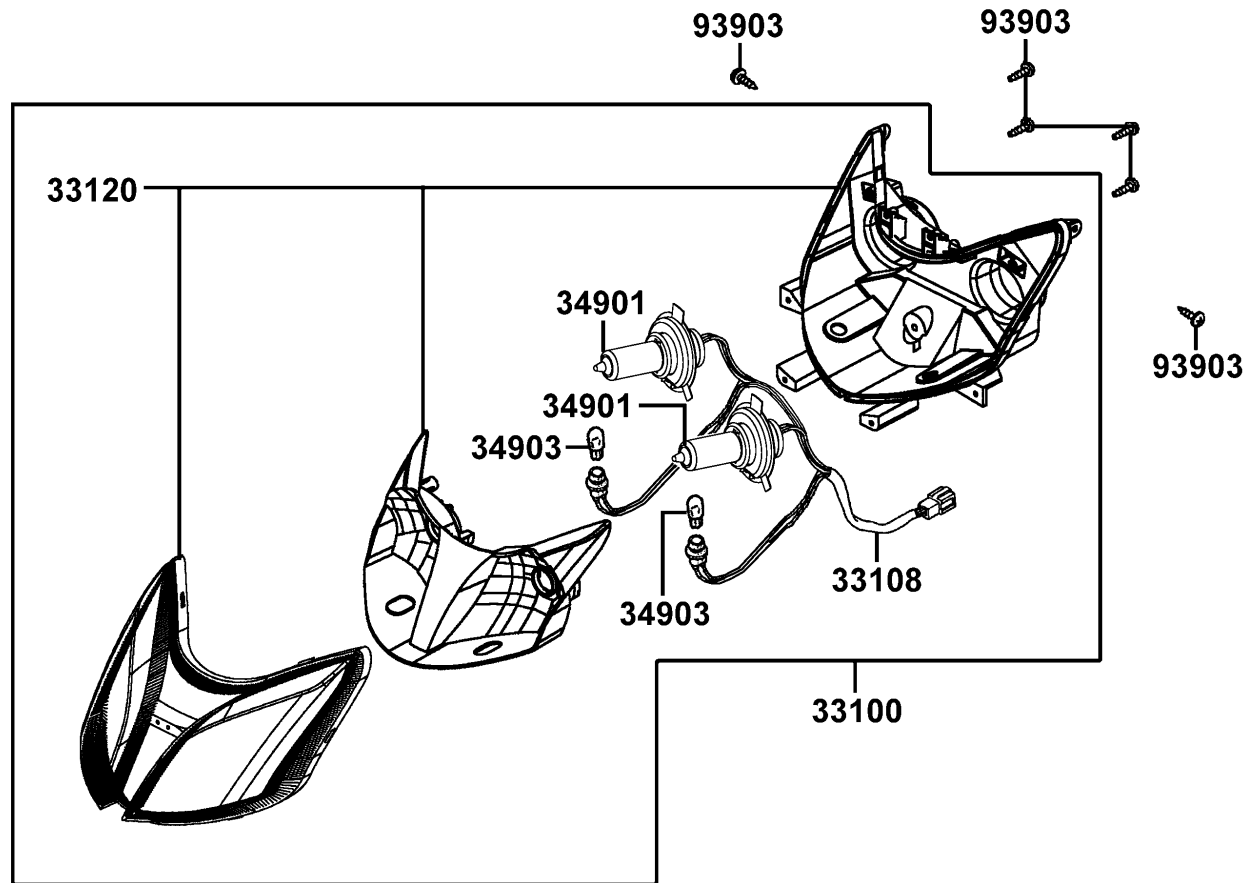
Sales mark	Ref no	Part no	Description	Reg description	Regd no	E08
11208		11208-LBD6-C00	STAY RR TIRE FENDER	STAY RR TIRE FENDER	1	
19510		19510-LDC5-C00	FAN COMP COOLING	FAN COMP COOLING	1	
19610		19610-LFC2-E10	COVER COMP FAN	COVER COMP FAN	1	
19625		19625-KEE1-C00	SEAL SHROUD	SEAL SHROUD	1	
1962A		1962A-KEE1-C00	SHROCD ASSY A	SHROCD ASSY A	1	
1963A		1963A-LDC8-E10	SHROUD ASSY B	SHROUD ASSY B	1	
31100		31100-LEJ2-E11	AC GEN ASSY	AC GEN ASSY	1	
31110		31110-LBD6-C00	FLYWHEEL COMP	FLYWHEEL COMP	1	
31120		31120-LBD6-C00	STATOR COMP	STATOR COMP	1	
92101		92101-05012-0H	BOLT HEX 5*12	BOLT HEX 5*12	2	
93904		93904-35380	SCREW TAPPING 5*16	SCREW TAPPING 5*16	2	
94050		94050-10080	NUT FLANGE 10MM	NUT FLANGE 10MM	1	
94591		94591-LDC8-E10	CLIP BIND	CLIP BIND	1	
96001-06016		96001-06016-08	BOLT FLANGE SH 6*16	BOLT FLANGE SH 6*16	6	
96001-06022		96001-06022-08	BOLT FLANGE SH 6*22	BOLT FLANGE SH 6*22	2	
96001-06025		96001-06025-08	BOLT FLANGE SH 6*25	BOLT FLANGE SH 6*25	2	



Sales mark	Ref no	Part no	Description	Reg description	Regd no	E09
	21200	21200-KFA1-900	CASE COMP MISSION	CASE COMP MISSION	1	
	21395	21395-KNBN-C10	GASKET MISSION CASE@A	GASKET MISSION CASE@A	1	
	23411	23411-LBD6-C00	SHAFT DRIVE	SHAFT DRIVE	1	
	23420	23420-LBD6-C00	SHAFT COMP COUNTER	SHAFT COMP COUNTER	1	
	23432	23432-LBD6-C00	GEAR FINAL	GEAR FINAL	1	
	23431	2343A-KNBN-C00	SHAFT FINAL	SHAFT FINAL	1	
	90429	90429-KNBN-C00	WASHER SIDE 12MM	WASHER SIDE 12MM	1	
	91004	91004-KBN2-C00	BRG BALL RADIAL 6201	BRG BALL RADIAL 6201	1	
	91009	91009-GLE0-C00	BRG BALL RADIAL 6004 UU	BRG BALL RADIAL 6004 UU	1	
	91255	91255-LDC8-E10	OIL SEAL 27*42*7	OIL SEAL 27*42*7	1	
	94301	94301-10200-M2	DOWEL PIN 10*20	DOWEL PIN 10*20	2	
	94510	94510-20000	CIR CLIP EX 20	CIR CLIP EX 20	1	

F01

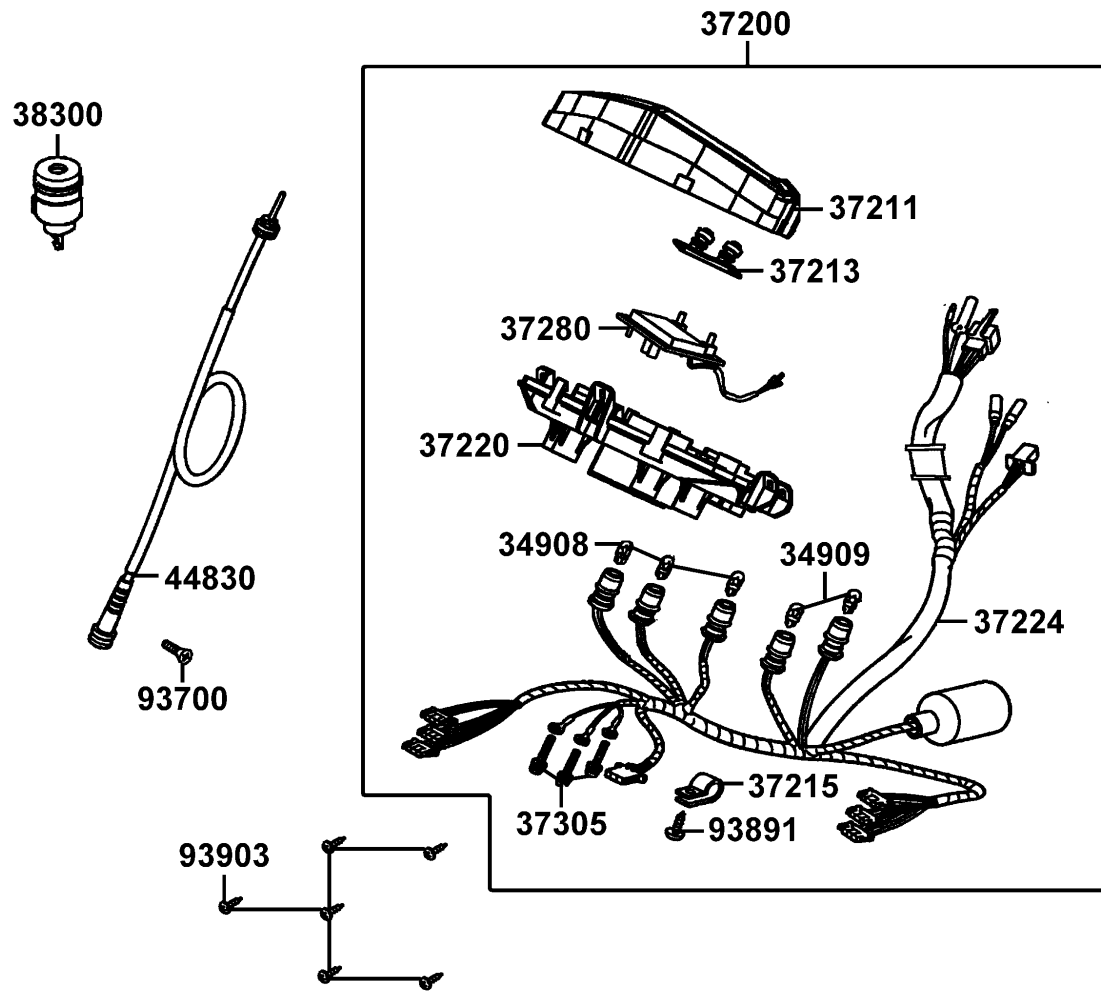
Head Light



Sales mark	Ref no	Part no	Description	Reg description	Regd no	F01
	33100	33100-ALA9-E70	LIGHT ASSY HEAD	LIGHT ASSY HEAD	1	
	33108	33108-LEJ2-E10	SOCKET COMP HEAD LIGHT	SOCKET COMP HEAD LIGHT	1	
	33120	33120-ALA9-E70	UNIT HEAD LIGHT	UNIT HEAD LIGHT	1	
	34901	34901-LDC8-E10	BULB HEAD LIGHT	BULB HEAD LIGHT	2	
	34903	34903-LDC8-E10	BULB POSITION	BULB POSITION	2	
	93903	93903-35220	SCREW TAPPING 5*12	SCREW TAPPING 5*12	6	

F02

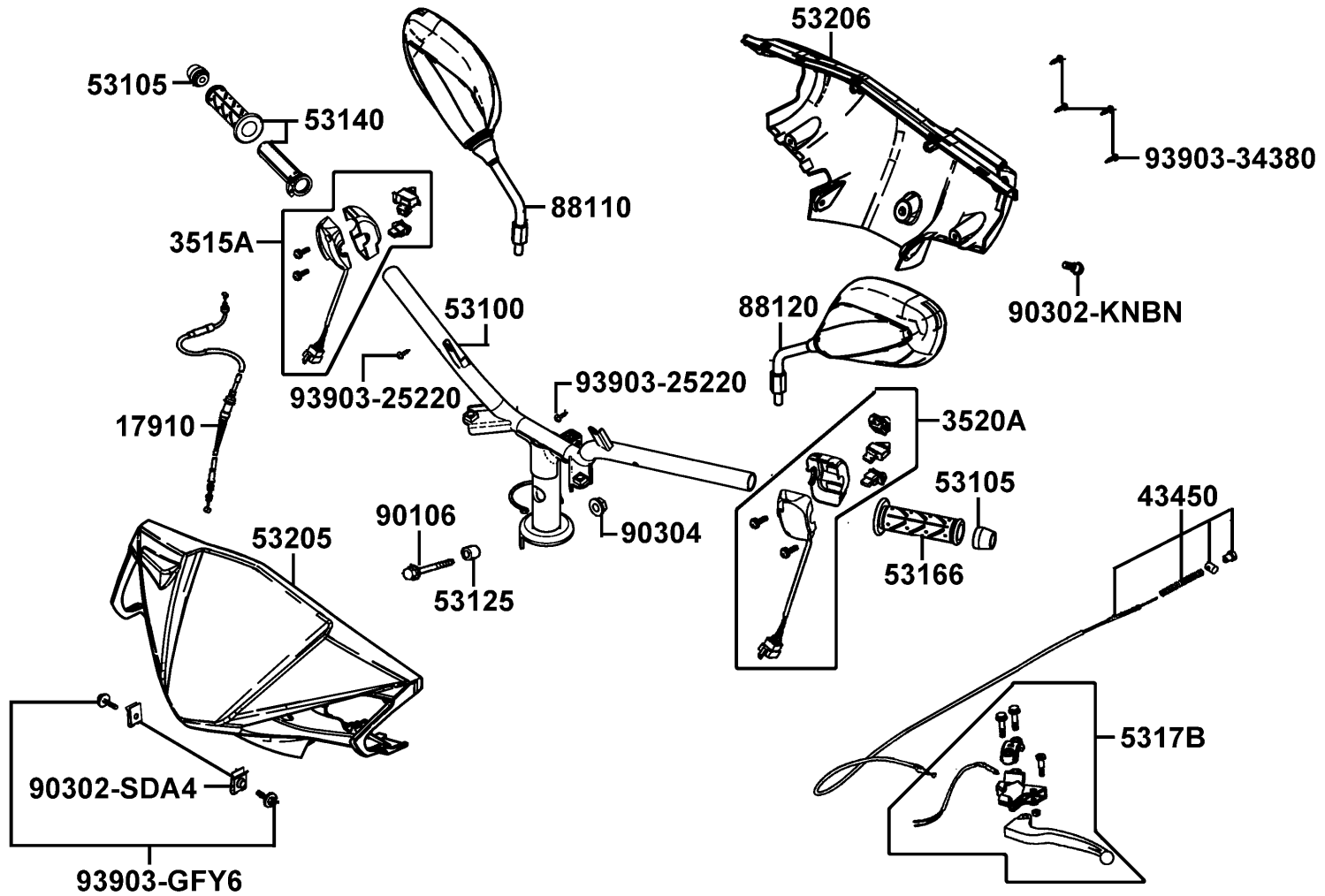
Speedometer



Sales mark	Ref no	Part no	Description	Reg description	Regd no	F02
	34908	34908-LEJ2-E00	BULB WEDGE BASE T10	BULB WEDGE BASE T10	3	
	34909	34909-LEJ2-E00	BULB WEDGE BASE T10	BULB WEDGE BASE T10	2	
	37200	37200-ALA9-E70	METER ASSY SPEED	METER ASSY SPEED	1	
	37211	37211-ALA9-E70	GLASS METER	GLASS METER	1	
	37213	37213-ALA9-E70	PACKING	PACKING	1	
	37215	37215-KAR1-C00	PLATE COSMETIC	PLATE COSMETIC	1	
	37220	37220-ALA9-E70	KNOB TRIP METER	KNOB TRIP METER	1	
	37224	37224-ALA9-E70	SOCKET COMP METER	SOCKET COMP METER	1	
	37280	37280-ALA9-E70	BAT AH INDI ASSY	BAT AH INDI ASSY	1	
	37305	37305-KEE5-008	SCREW WASH 3*22	SCREW WASH 3*22	1	
	38300	38300-KECE-W10	RELAY ASS'Y WINKER	RELAY ASS'Y WINKER	1	
	44830	44830-LDC8-E10	CABLE COMP SPDMT	CABLE COMP SPDMT	1	
	93700	93700-05018-0H	SCREW OVAL 5*18	SCREW OVAL 5*18	1	
	93891	93891-04014-08	SCREW WASHER 4*14 (C)	SCREW WASHER 4*14 (C)	1	
	93903	93903-34380	SCREW TAPPING 4*12	SCREW TAPPING 4*12	6	

F03

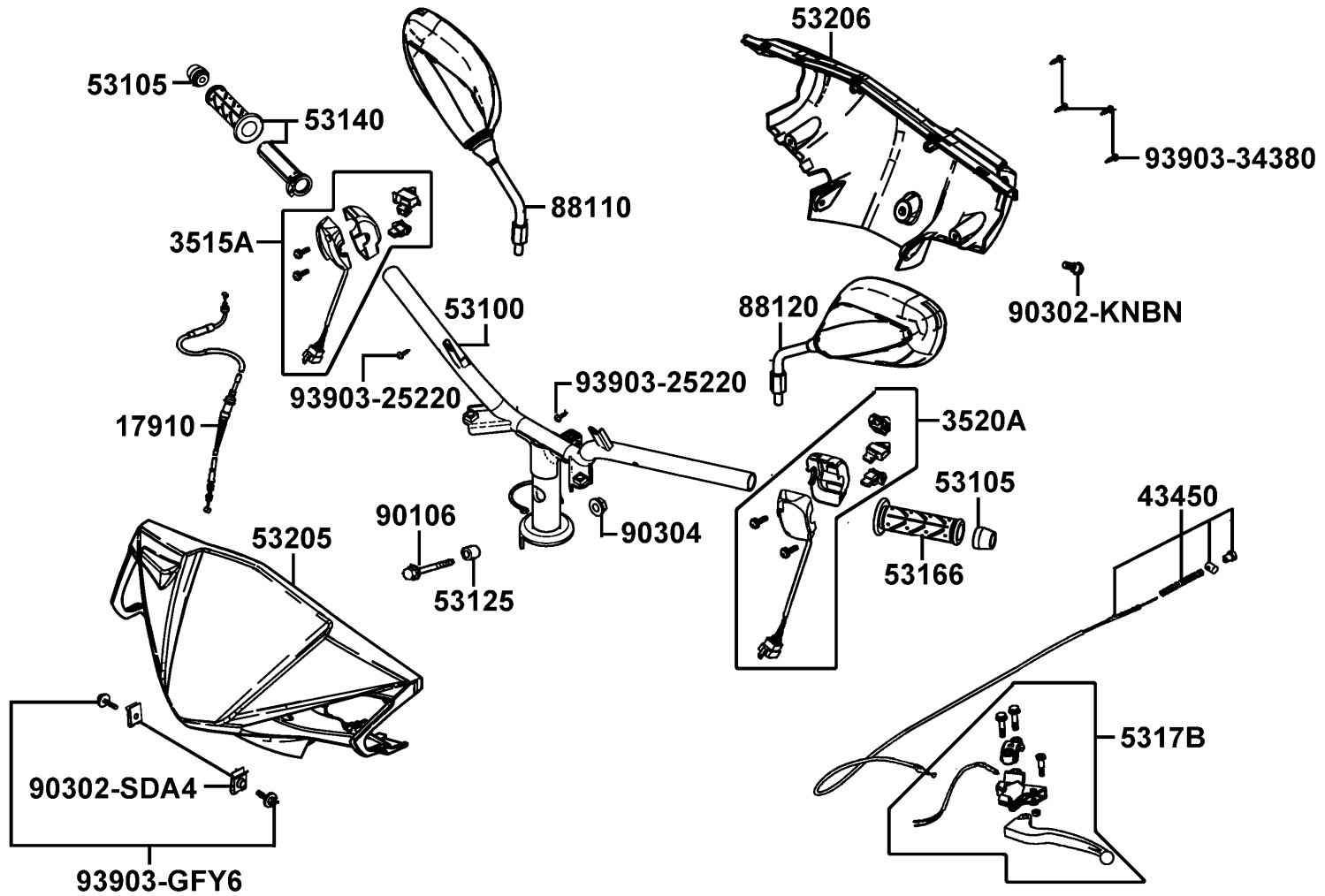
Handle Steering Handle Cover



Sales mark	Ref no	Part no	Description	Reg description	Regd no	F03
	17910	17910-LDC8-E10	CABLE COMP THROT	CABLE COMP THROT	1	
	3515A	3515A-LGB5-E10	SW ASSY RH HNDL COMP	SW ASSY RH HNDL COMP	1	
	3520A	3520A-LGB5-E10	SW ASSY LH HANDLE COMP	SW ASSY LH HANDLE COMP	1	
	43450	43450-LDC8-E10	CABLE COMP RR BRK	CABLE COMP RR BRK	1	
	53100	53100-LGB5-E10	HANDLE COMP STRG	HANDLE COMP STRG	1	
	53105	53105-KNBN-C00	END STRG HANDLE	END STRG HANDLE	2	
	53125	53125-GEN5-C00	COLLAR HANDLE SET	COLLAR HANDLE SET	1	
**	53140	53140-KNBN-C00	GRIP COMP THROT	GRIP COMP THROT	1	
**	53166	53166-KNBN-C00	GRIP L HANDLE	GRIP L HANDLE	1	
	5317B	5317B-KFA6-C00	BRKT ASSY HNDL LH	BRKT ASSY HNDL LH	1	
**	53205	53205-LGB5-E10	COVER HANDLE FR	COVER HANDLE FR	1	
**	53206	53206-LGB5-E10	COVER HANDLE RR	COVER HANDLE RR	1	
**	88110	88110-LEB5-C10	MIRROR ASSY R BACK	MIRROR ASSY R BACK	1	
**	88120	88120-LEB5-C10	MIRROR ASSY L BACK	MIRROR ASSY L BACK	1	
	90106	90106-GEN5-901	BOLT FLANGE 10*50	BOLT FLANGE 10*50	1	
	90302-KNBN	90302-KNBN-C00	BOLT PAN 5*10	BOLT PAN 5*10	1	
	90302-SDA4	90302-SDA4-C00	NUT SPRING 4MM	NUT SPRING 4MM	1	
	90304	90304-GHE8-C00	NUT U 10MM(C)	NUT U 10MM(C)	1	
	93903-25220	93903-25220	SCREW TAPPING 5*12	SCREW TAPPING 5*12	2	
	93903-34380	93903-34380	SCREW TAPPING 4*12	SCREW TAPPING 4*12	4	

F03

Handle Steering Handle Cover

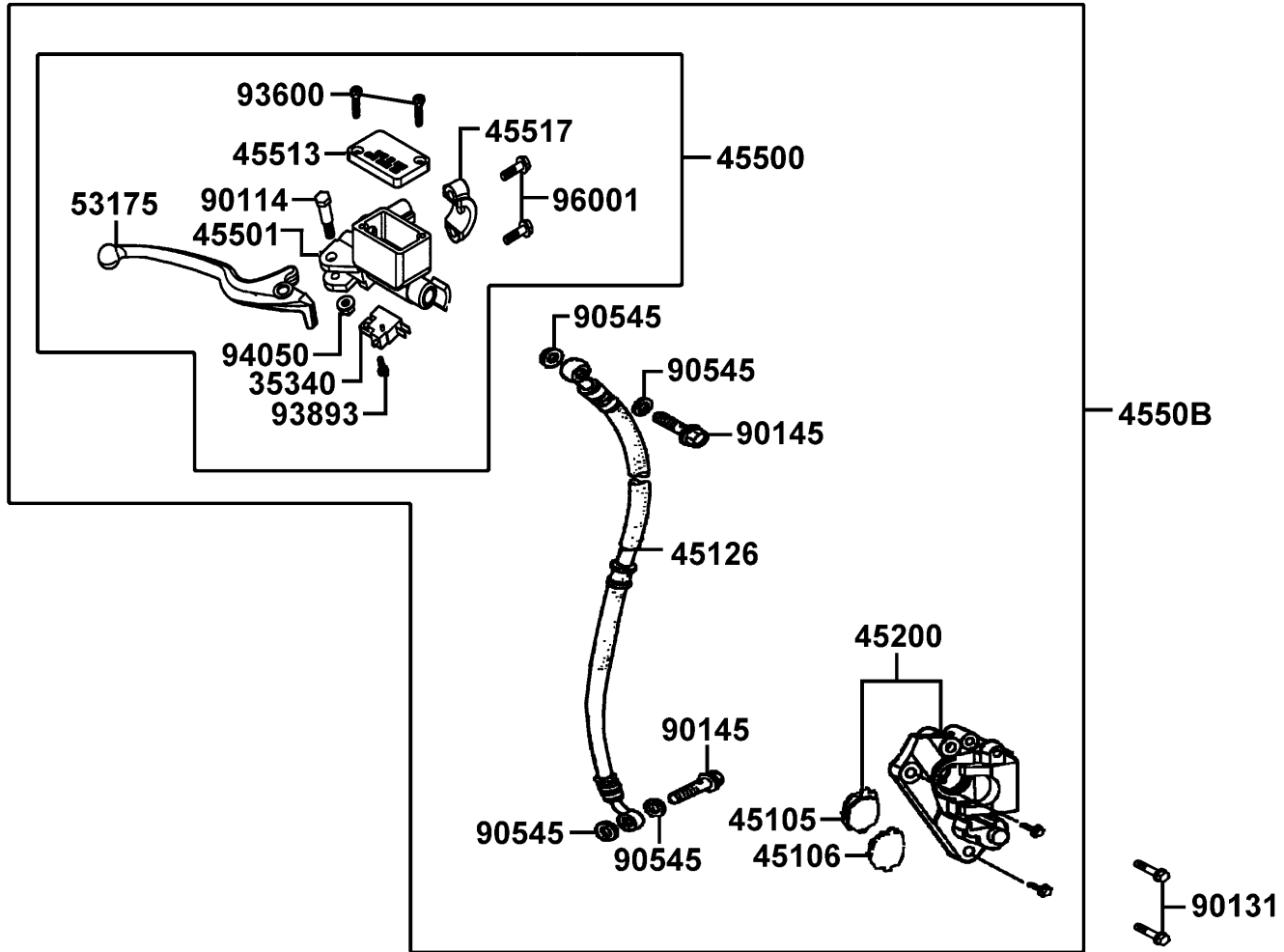


Sales mark	Ref no	Part no	Description	Reg description	Regd no	F03
------------	--------	---------	-------------	-----------------	---------	------------

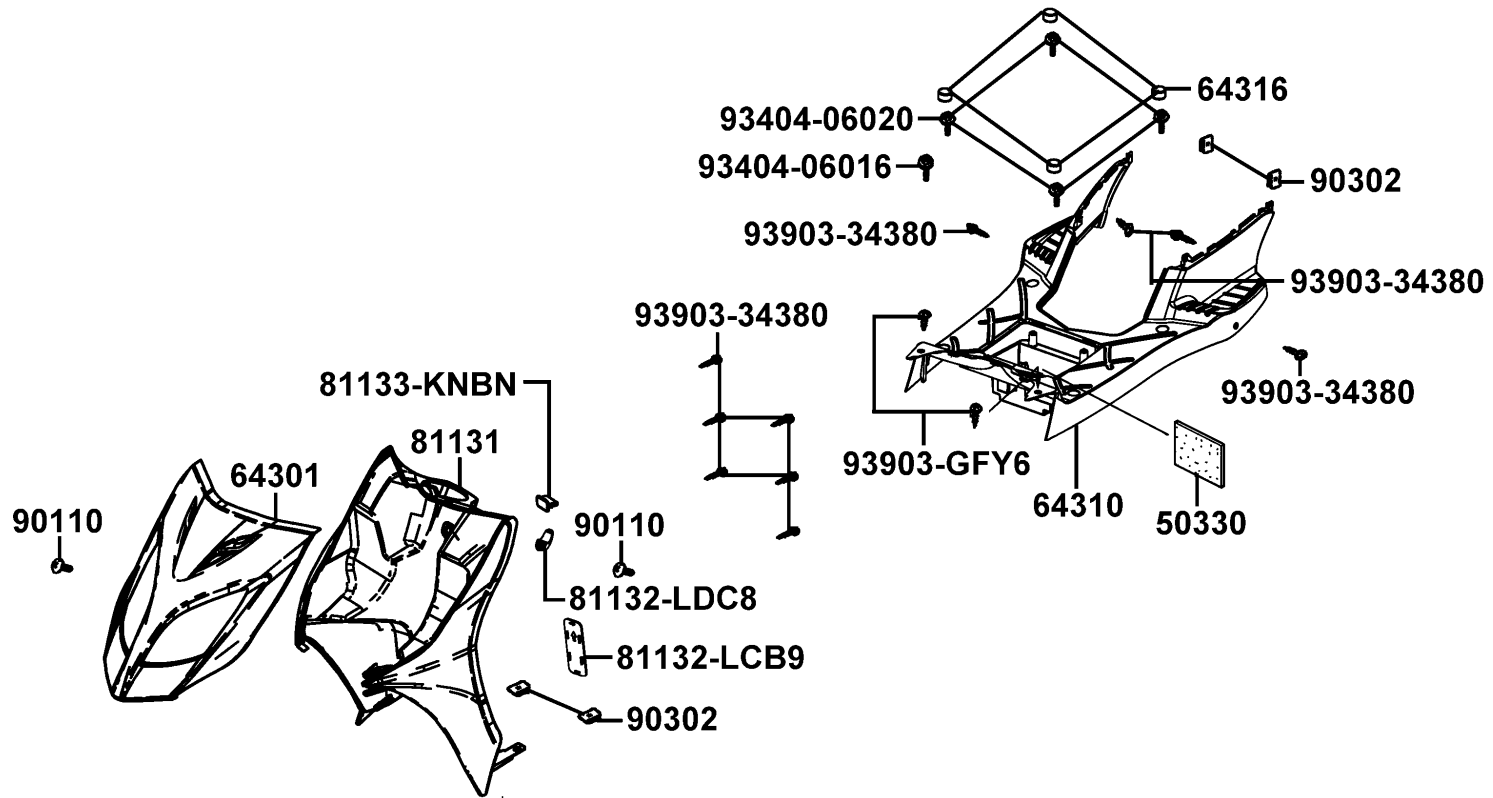
	93903-GFY6	93903-GFY6-C00	SCREW TAPPING 4*14	SCREW TAPPING 4*14	1	
--	------------	----------------	--------------------	--------------------	---	--

F04

Brake Master Cylinder



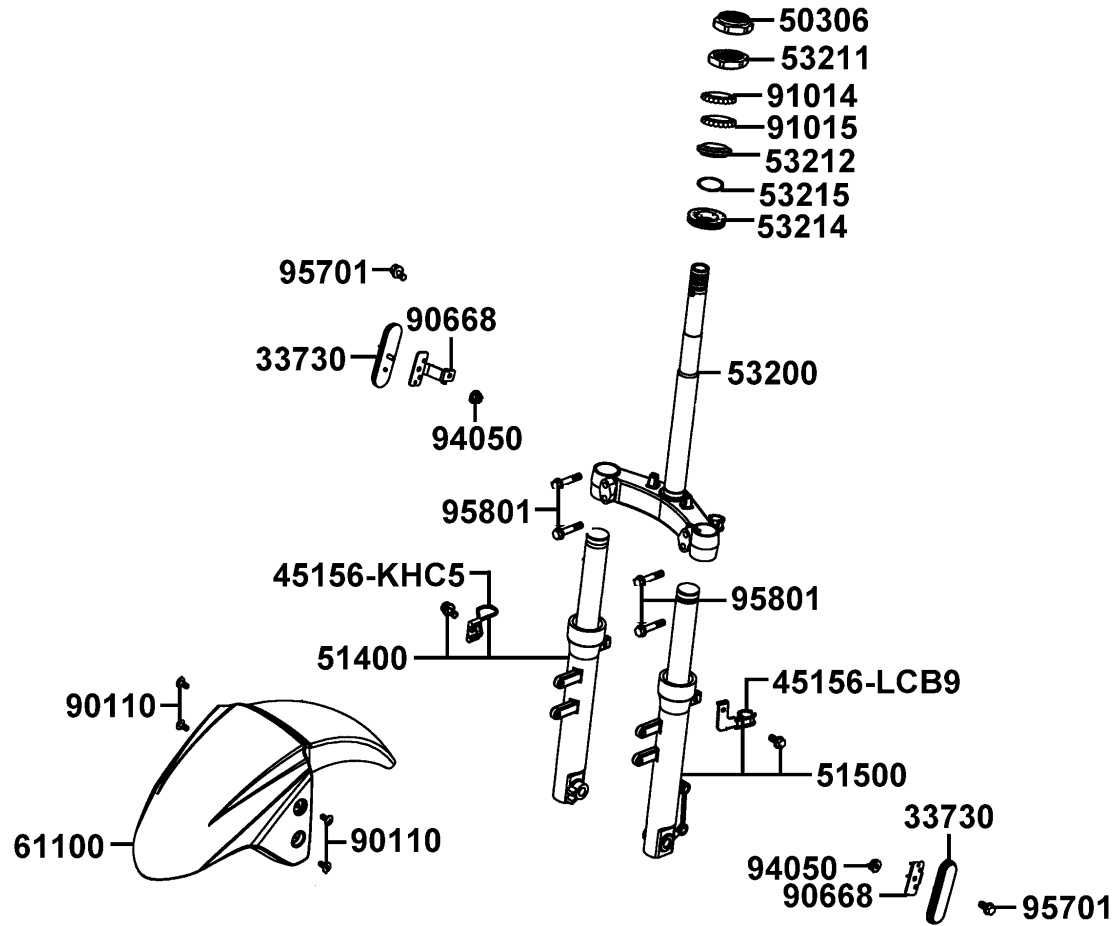
Sales mark	Ref no	Part no	Description	Reg description	Regd no	F04
	35340	35340-KNBN-901	SW ASSY FR STOP	SW ASSY FR STOP	1	
	45105	45105-LFC2-E1B	PAD COMP A	PAD COMP A	1	
	45106	45106-LFC2-E1B	PAD COMP B	PAD COMP B	1	
	45126	45126-ALA9-E70	HOSE ASSY FR BRK	HOSE ASSY FR BRK	1	
**	45200	45200-ALA9-E70	CALIPER ASSY FR BRK	CALIPER ASSY FR BRK	1	
	45500	45500-LDC8-E10	M/C ASSY FR	M/C ASSY FR	1	
	45501	45501-LDC8-E10	BODY M/C	BODY M/C	1	
	4550B	4550B-ALA9-E70	SUB ASSY FR BRK	SUB ASSY FR BRK	1	
	45513	45513-LDC8-E10	CAP CYLN SET MASTER	CAP CYLN SET MASTER	1	
	45517	45517-KFAF-910	HOLDER M/C	HOLDER M/C	1	
	53175	53175-LDC8-E10	LEVER R STRG HNDL	LEVER R STRG HNDL	1	
	90114	90114-1F66-C00	BOLT HANDLE LEVER	BOLT HANDLE LEVER	1	
	90131	90131-GLW0-C00	BOLT FLANGE 8*35	BOLT FLANGE 8*35	1	
	90145	90145-9A61-C00	OIL BOLT 10*22	OIL BOLT 10*22	1	
	90545	90545-3L00-C00	WASHER OIL BOLT	WASHER OIL BOLT	1	
	93600	93600-04012-1G	SCREW FLAT 4*12	SCREW FLAT 4*12	2	
	93893	93893-04012-08	SCREW WASHER 4*12 (C)	SCREW WASHER 4*12 (C)	1	
	94050	94050-06070	NUT FLANGE 6MM (K)	NUT FLANGE 6MM (K)	1	
	96001	96001-06025-00	BOLT FLANGE SH 6*25	BOLT FLANGE SH 6*25	2	



Sales mark	Ref no	Part no	Description	Reg description	Regd no	F05
	50330	50330-KEBE-900	SEAL BATTERY FR	SEAL BATTERY FR	1	
**	64301	64301-ALA9-E70	COVER FR	COVER FR	1	
**	64310	64310-LCB9-C10	PANEL FLOOR	PANEL FLOOR	1	
**	64316	64316-LCB9-C10	PLUG FLOOR	PLUG FLOOR	4	
**	81131	81131-ALA9-E70	LEG SHIELD	LEG SHIELD	1	
**	81132-LCB9	81132-LCB9-C10	Xc	Xc	1	
	81132-LDC8	81132-LDC8-E10	HOOK LUGGAGE	HOOK LUGGAGE	1	
	81133	81133-KNBN-C00	STOPPER LUGGAGE	STOPPER LUGGAGE	1	
	90110	90110-GLW0-C00	SCREW SPECIAL 6*14	SCREW SPECIAL 6*14	1	
	90302	90302-SDA4-C00	NUT SPRING 4MM	NUT SPRING 4MM	1	
	93404-06016	93404-06016-07	BOLT WASHER 6*16 (K)	BOLT WASHER 6*16 (K)	1	
	93404-06020	93404-06020-07	BOLT WASHER 6*20 (K)	BOLT WASHER 6*20 (K)	4	
	93903-34380	93903-34380	SCREW TAPPING 4*12	SCREW TAPPING 4*12	11	
	93903-GFY6	93903-GFY6-C00	SCREW TAPPING 4*14	SCREW TAPPING 4*14	1	

F06

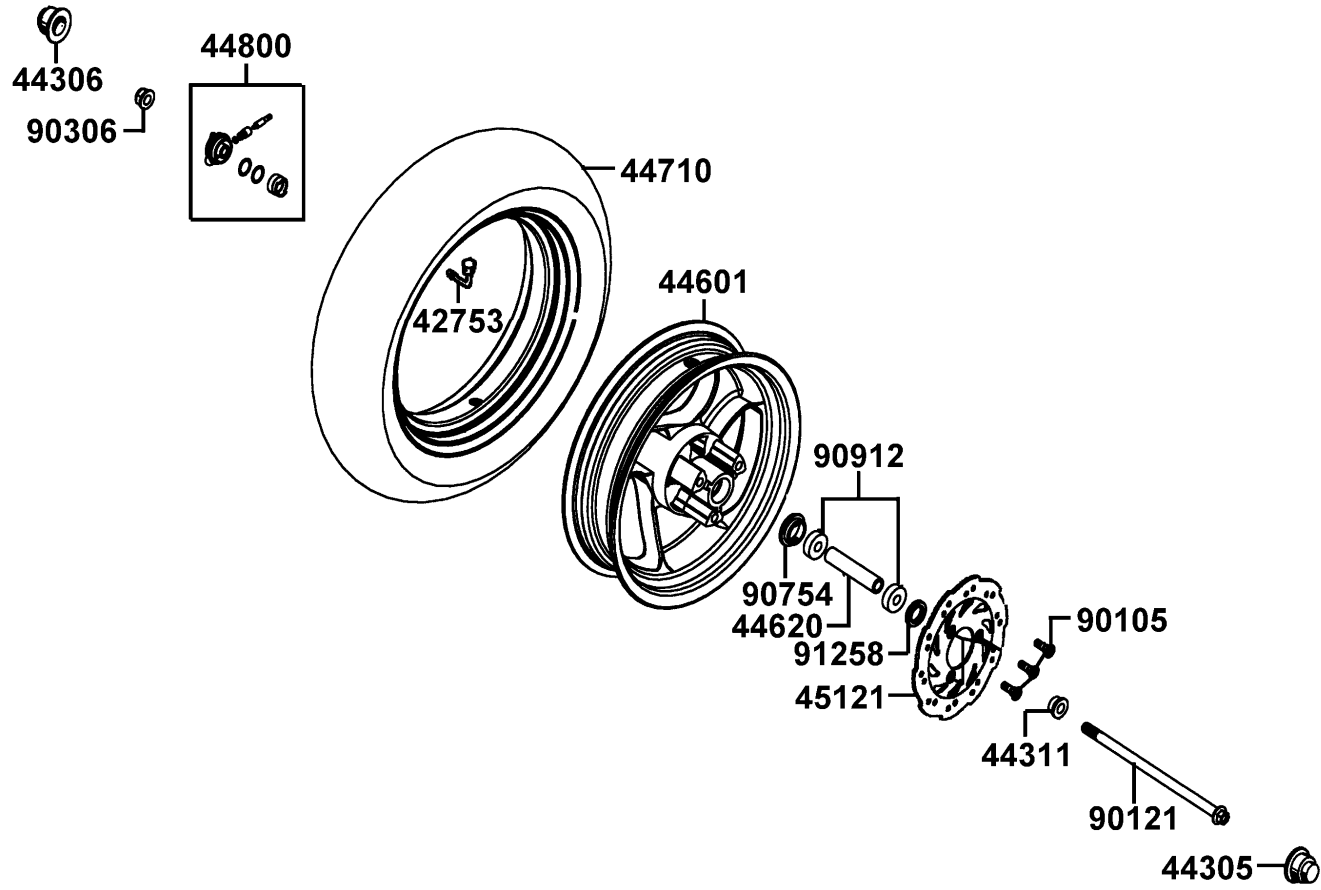
Stem Steering Front Cushion



Sales mark	Ref no	Part no	Description	Reg description	Regd no	F06
	33730	33730-LDC8-E10	REFLEX REFLECTOR SIDE	REFLEX REFLECTOR SIDE	2	
	45156-KHC5	45156-KHC5-E10	CLAMPER FR BRAKE HOSE	CLAMPER FR BRAKE HOSE	1	
	45156-LCB9	45156-LCB9-B20	CLAMPER FR SPDMT CABLE	CLAMPER FR SPDMT CABLE	1	
	50306	50306-1F96-001	NUT STRG STEM LOCK	NUT STRG STEM LOCK	1	
**	51400	51400-LDC8-E10	FORK ASSY R FR	FORK ASSY R FR	1	
**	51500	51500-LDC8-E10	FORK ASSY L FR	FORK ASSY L FR	1	
	53200	53200-LDC8-E10	STEM COMP STRG	STEM COMP STRG	1	
	53211	53211-GFY6-C00	RACE STRG TOP CONE	RACE STRG TOP CONE	1	
	53212	53212-2L50-C00	RACE (STRG BOTTOM) CONE	RACE (STRG BOTTOM) CONE	1	
	53214	53214-2L50-C00	DUST SEAL STRG HEAD	DUST SEAL STRG HEAD	1	
	53215	53215-2L50-C00	WASHER STRG HDL DUST-SEAL	WASHER STRG HDL DUST-SEAL	1	
**	61100	61100-LDC8-E10	FENDER FR	FENDER FR	1	
	90110	90110-KEB7-C00	SCREW SPECIAL 6*14	SCREW SPECIAL 6*14	1	
	90668	90668-LDC8-E10	STAY SIDE REFLECTOR	STAY SIDE REFLECTOR	1	
	91014	91014-LLJ3-C00	CAGE STRG TOPP	CAGE STRG TOPP	1	
	91015	91015-LLJ3-C00	CAGE STRG BOT	CAGE STRG BOT	1	
	94050	94050-05080	NUT FLANGE 5MM	NUT FLANGE 5MM	2	
	95701	95701-06012-08	BOLT FLANGE 6*12	BOLT FLANGE 6*12	2	
	95801	95801-08040-08	BOLT FLANGE 8*40	BOLT FLANGE 8*40	4	

F07

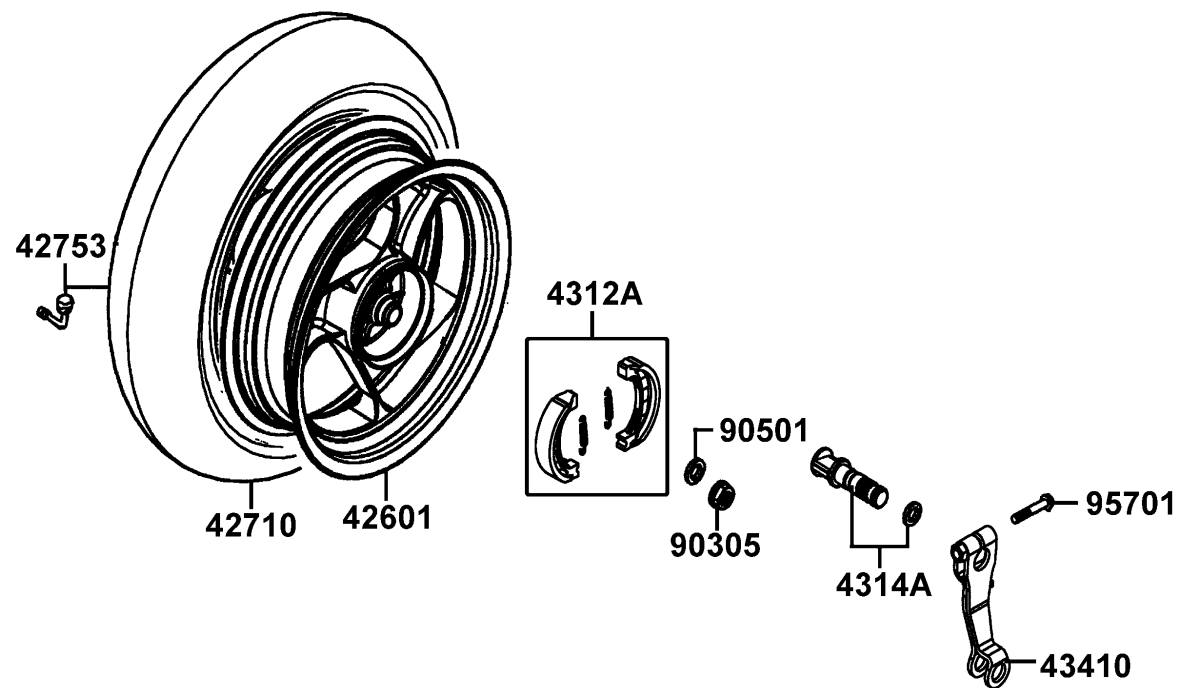
Front Wheel



Sales mark	Ref no	Part no	Description	Reg description	Regd no	F07
	42753	42753-0A01-C00	VALVE (TR 412) & CAP (C)	VALVE (TR 412) & CAP (C)	1	
	44305	44305-KGE2-E00	AXLE PROTECTOR L	AXLE PROTECTOR L	1	
	44306	44306-KGE2-E00	AXLE PROTECTOR R	AXLE PROTECTOR R	1	
	44311	44311-GLW0-W10	COLLAR FR WHEEL SIDE	COLLAR FR WHEEL SIDE	1	
**	44601	44601-KEB7-E0E	WHEEL FR CAST	WHEEL FR CAST	1	
	44620	44620-KEB7-E00	COLLAR FR DIST	COLLAR FR DIST	1	
	44710	44710-LDC8-E1A	TIRE ASSY FR	TIRE ASSY FR	1	
	44800	44800-LDC8-E10	GEAR BOX ASSY SPDMT	GEAR BOX ASSY SPDMT	1	
	45121	45121-LGB5-E80	DISK FR BRAKE	DISK FR BRAKE	1	
	90105	90105-KCR3-001	BOLT FR DISK 8*24	BOLT FR DISK 8*24	3	
	90121	90121-KBE2-C00	BOLT RR FORK PIVOT	BOLT RR FORK PIVOT	1	
	90306	90306-KLF0-C00	NUT FLANGE 12MM	NUT FLANGE 12MM	1	
	90754	90754-GHC8-C00	DUST SEAL 20*32*5	DUST SEAL 20*32*5	1	
	90912	90912-GHC8-C00	BEARING 6201 (U) (NTN)	BEARING 6201 (U) (NTN)	1	
	91258	91258-KAM1-C00	SEAL SPDMT GEAR BOX	SEAL SPDMT GEAR BOX	1	

F08

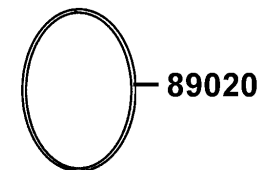
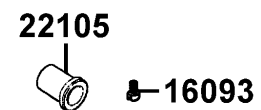
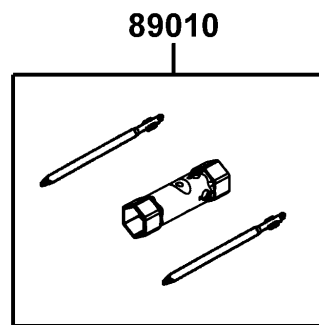
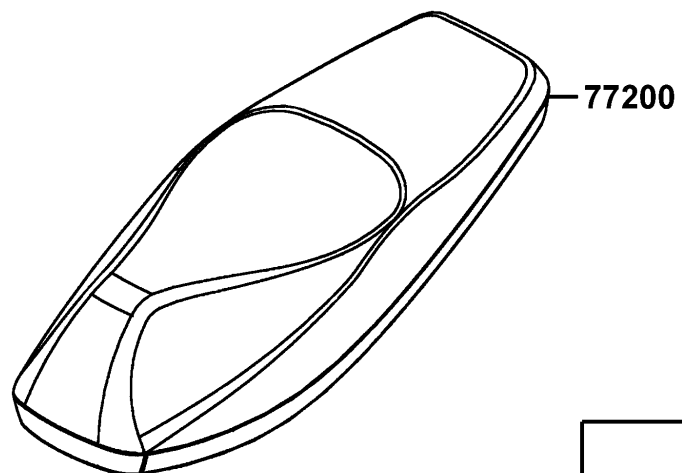
Rear Wheel



Sales mark	Ref no	Part no	Description	Reg description	Regd no	F08
**	42601	42601-KEB7-E0E	WHEEL CAST RR	WHEEL CAST RR	1	
	42710	42710-LDC8-E1A	TIRE ASSY RR	TIRE ASSY RR	1	
	42753	42753-0A01-C00	VALVE (TR 412) & CAP (C)	VALVE (TR 412) & CAP (C)	1	
	4312A	4312A-KXCX-C00	SHOE ASSY RR BRAKE	SHOE ASSY RR BRAKE	1	
	4314A	4314A-KKD6-E00	CAM ASSY RR BRAKE	CAM ASSY RR BRAKE	1	
	43410	43410-KFA1-900	ARM COMP RR BRAKE	ARM COMP RR BRAKE	1	
	90305	90305-KNBN-C00	NUT U 16MM(C)	NUT U 16MM(C)	1	
	90501	90501-KNBN-C00	WASHER 16MM	WASHER 16MM	1	
	95701	95701-06032-08	BOLT FLANGE 6*32	BOLT FLANGE 6*32	1	

F09

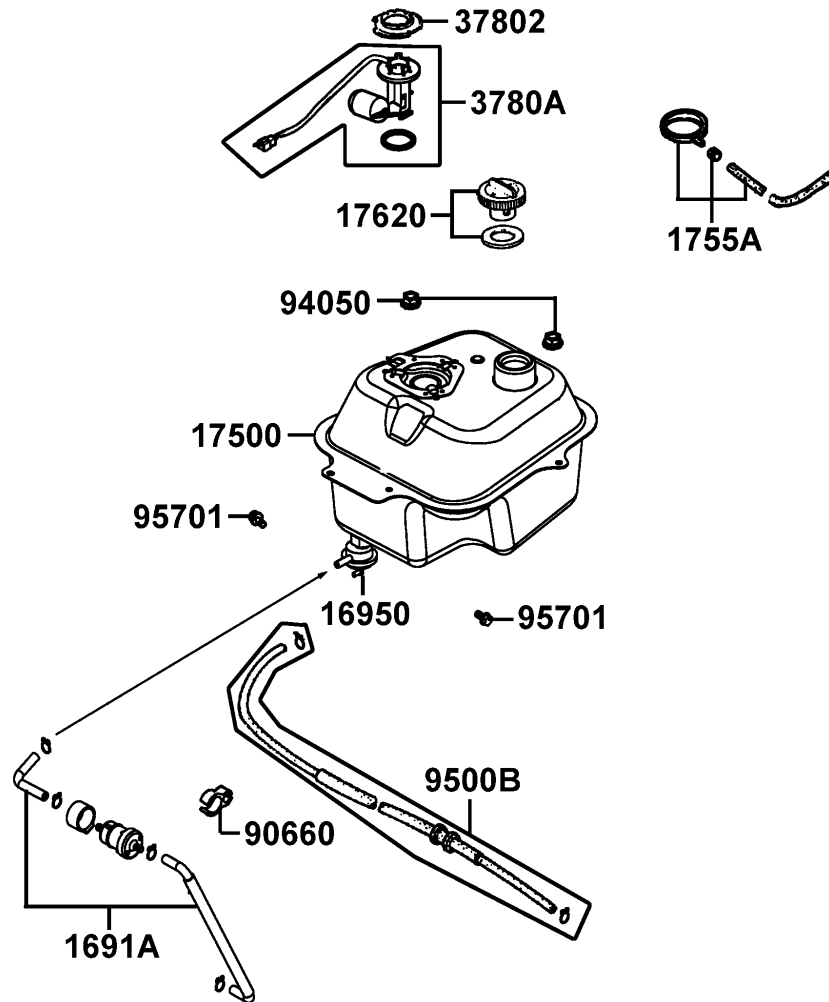
Seat



Sales mark	Ref no	Part no	Description	Reg description	Regd no	F09
	16093	16093-5082-000	JET MAIN	JET MAIN	1	
	22105	22105-KGBG-C00	VBOSS DRIVE FACE	VBOSS DRIVE FACE	1	
**	77200	77200-LDF7-E10	SEAT ASSY	SEAT ASSY	1	
	77206	77206-LCB9-C10	RUBBER SEAT CUSHION	RUBBER SEAT CUSHION	1	
	89010	89010-KGBG-C00	TOOL SET	TOOL SET	1	
	89020	89020-KKC4-900	BAND TOOL SET	BAND TOOL SET	1	
	94050	94050-06080	NUT FLANGE 6MM	NUT FLANGE 6MM	2	

F10

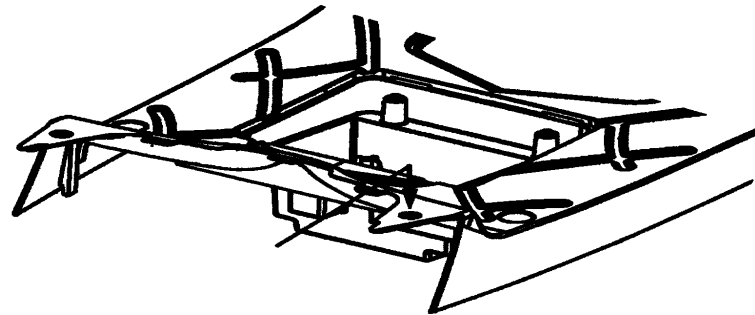
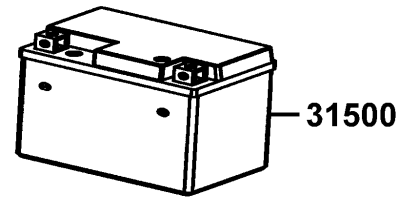
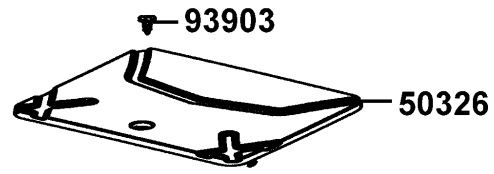
Fuel Tank



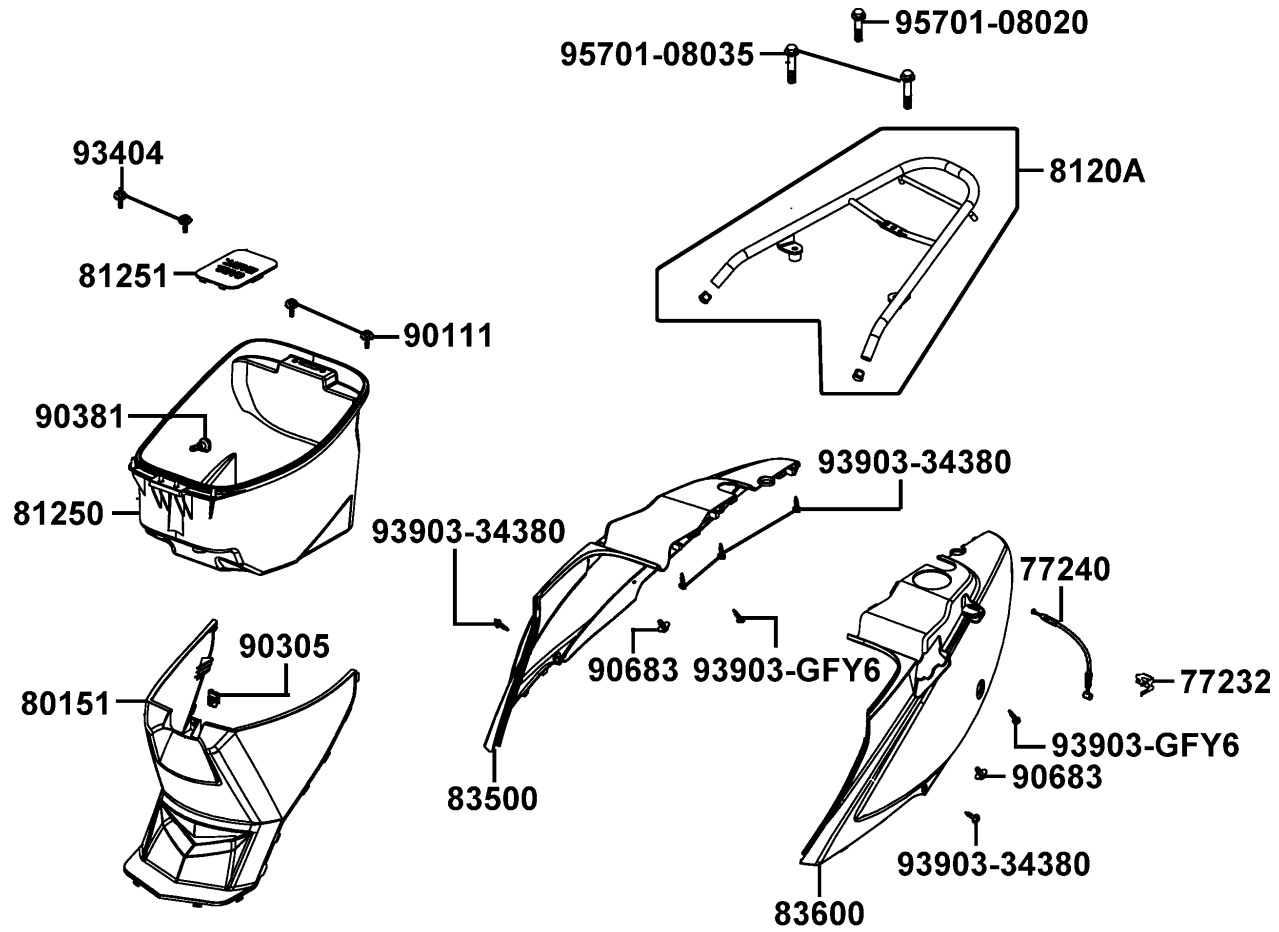
Sales mark	Ref no	Part no	Description	Reg description	Regd no	F10
	1691A	1691A-LDF7-E10	STRAINER ASSY FUEL	STRAINER ASSY FUEL	1	
	16950	16950-KKJ9-C00	AUTO COCK ASSY FUEL	AUTO COCK ASSY FUEL	1	
	17500	17500-LCB9-C10	TANK COMP FUEL	TANK COMP FUEL	1	
	1755A	1755A-KKD5-C10	TRAY ASSY FUEL CAP	TRAY ASSY FUEL CAP	1	
	17620	17620-LDF7-E10	CAP COMP FUEL FILLER	CAP COMP FUEL FILLER	1	
	37802	37802-GGA7-701	RET FUEL UNIT	RET FUEL UNIT	1	
	3780A	3780A-LDC8-E10	FUEL UNIT ASSY	FUEL UNIT ASSY	1	
	90660	90660-KGBG-C00	CLAMPER TUBE	CLAMPER TUBE	1	
	94050	94050-06080	NUT FLANGE 6MM	NUT FLANGE 6MM	2	
	9500B	9500B-LDC8-E10	TUBE ASSY VACUUM	TUBE ASSY VACUUM	1	
	95701	95701-06012-08	BOLT FLANGE 6*12	BOLT FLANGE 6*12	2	

F11

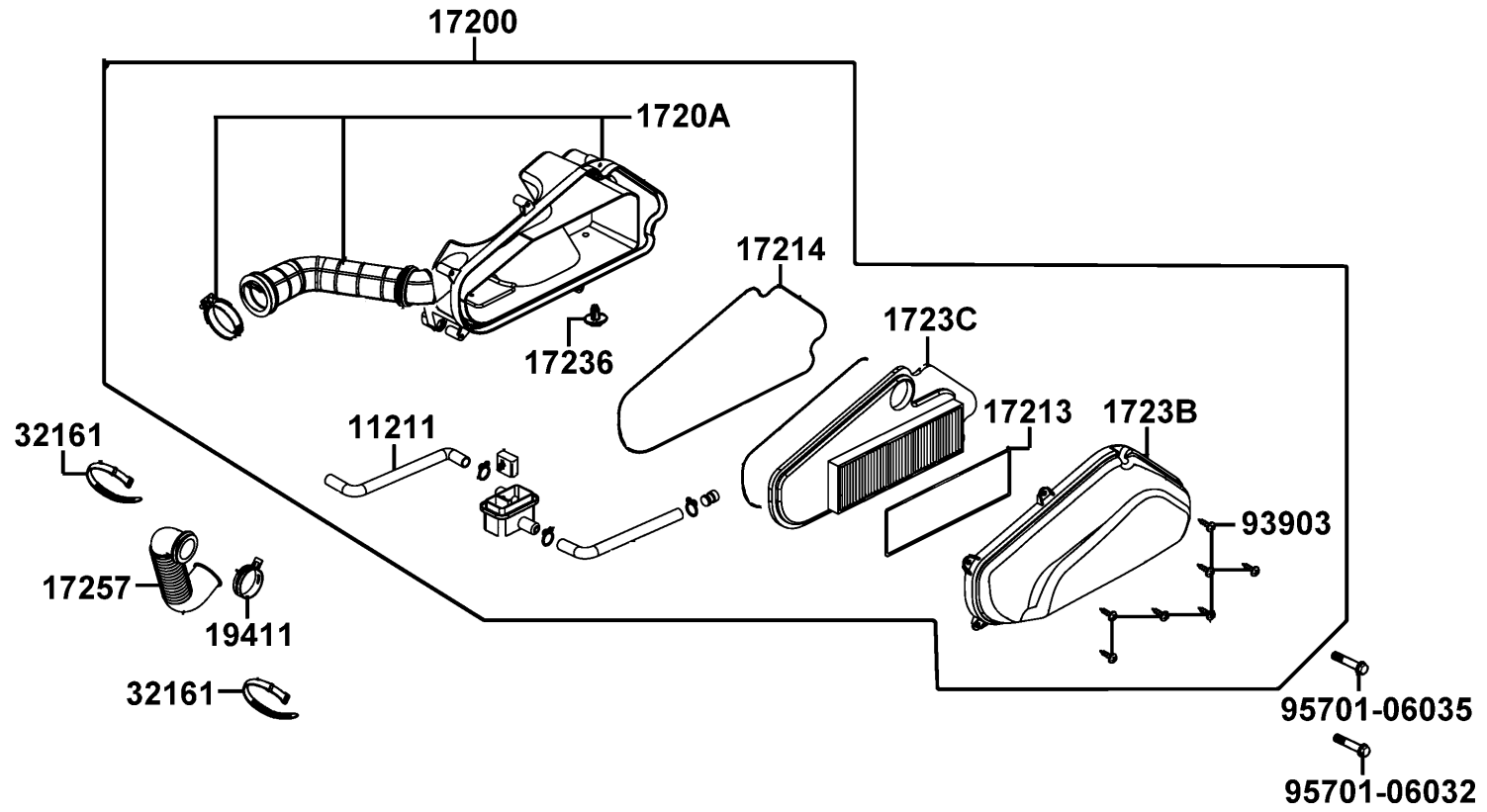
Battery



Sales mark	Ref no	Part no	Description	Reg description	Regd no	F11
	31500	31500-KNBN-C00	BATTERY YTX5L-BS	BATTERY YTX5L-BS	1	
**	50326	50326-LCB9-C10	COVER BATTERY	COVER BATTERY	1	
	93903	93903-35380	SCREW TAPPING 5*16 (K)	SCREW TAPPING 5*16 (K)	1	
	98200	98200-10700	FUSE A7	FUSE A7	1	



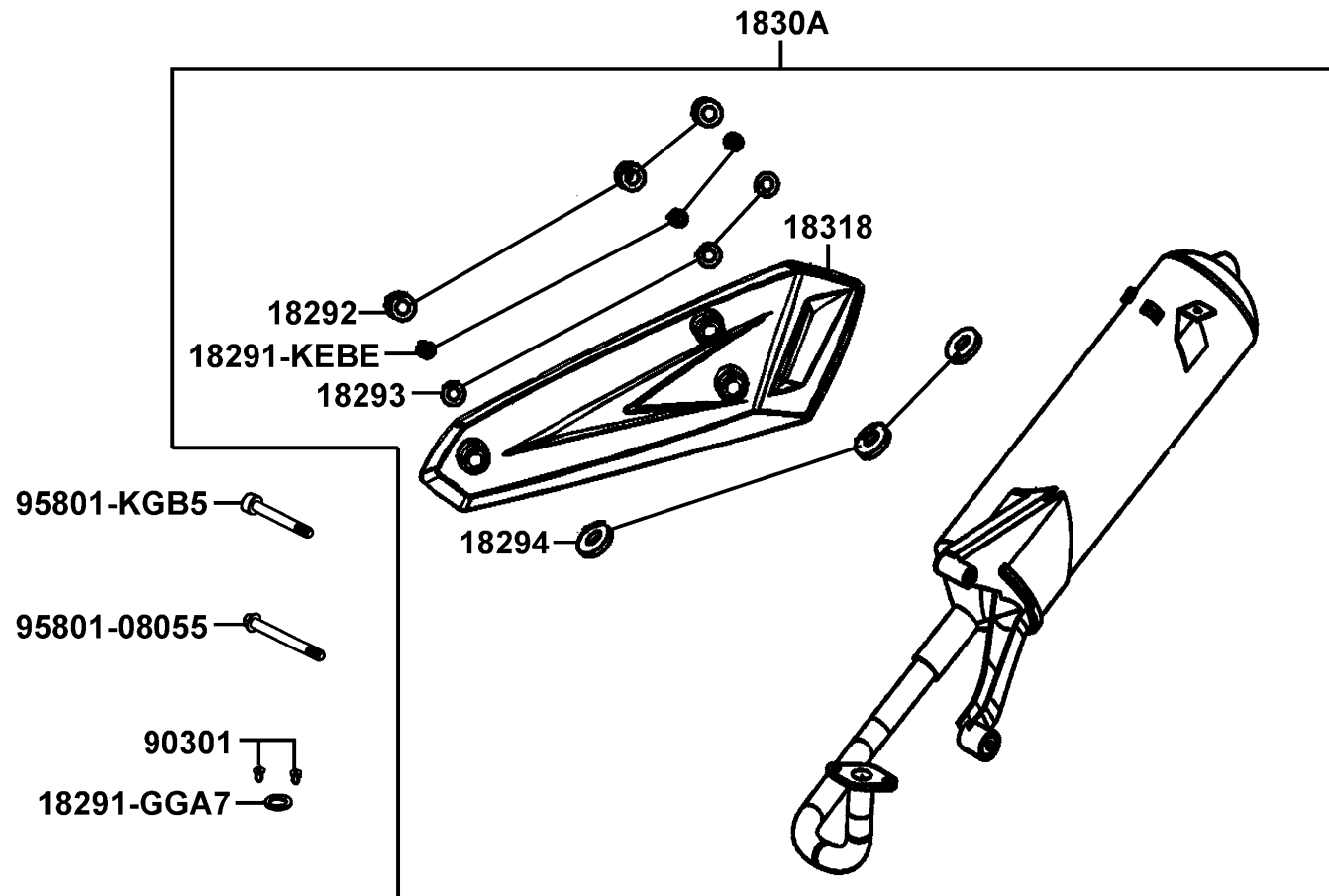
Sales mark	Ref no	Part no	Description	Reg description	Regd no	F12
	77232	77232-KCAC-C00	SET SPG SEAT LOCK	SET SPG SEAT LOCK	1	
	77240	77240-LDC8-E10	CABLE COMP SEAT LOCK	CABLE COMP SEAT LOCK	1	
**	80151	80151-LCB9-C10	COVER CENTER	COVER CENTER	1	
	8120A	8120A-LCB9-C10	CARRIER ASSY LUGGER	CARRIER ASSY LUGGER	1	
**	81250	81250-LCB9-C10	BOX LUGGAGE	BOX LUGGAGE	1	
**	81251	81251-LCB9-C10	LID CARB MAINT	LID CARB MAINT	1	
**	83500	83500-LDF6-B20	COVER R BODY	COVER R BODY	1	
**	83600	83600-LDF6-B20	COVER L BODY	COVER L BODY	1	
	90111	90111-1G87-C00	BOLT FLANGE 6MM	BOLT FLANGE 6MM	1	
	90305	90305-GHK8-C00	NUT CLIP 6MM	NUT CLIP 6MM	1	
	90381	90381-GEZ5-C00	SCREW SPECIAL 6*17	SCREW SPECIAL 6*17	1	
	90683	90683-GAR1-C00	CLIP BODY COVER	CLIP BODY COVER	1	
	93404	93404-06016-07	BOLT WASHER 6*16 (K)	BOLT WASHER 6*16 (K)	2	
	93903-34380	93903-34380	SCREW TAPPING 4*12	SCREW TAPPING 4*12	5	
	93903-GFY6	93903-GFY6-C00	SCREW TAPPING 4*14	SCREW TAPPING 4*14	1	
	95701-08020	95701-08020-07	BOLT FLANGE 8*20 (K)	BOLT FLANGE 8*20 (K)	1	
	95701-08035	95701-08035-07	BOLT FLANGE 8*35	BOLT FLANGE 8*35	2	



Sales mark	Ref no	Part no	Description	Reg description	Regd no	F13
	11211	11211-LBD6-E00	TUBE BREATHER	TUBE BREATHER	1	
	17200	17200-LDC8-E11	AIR/C ASSY.	AIR/C ASSY.	1	
	1720A	1720A-LDC8-E11	CASE ASSY AIR/C	CASE ASSY AIR/C	1	
	17213	17213-LBD6-E00	SEAL AIR/C CASE	SEAL AIR/C CASE	1	
	17214	17214-LBA6-E00	SEAL AIR/C CASE	SEAL AIR/C CASE	1	
	17236	17236-KFBF-C00	PLATE	PLATE	1	
	1723B	1723B-LBD6-E00	COVER ASSY AIR/C	COVER ASSY AIR/C	1	
	1723C	1723C-LBD6-E00	ELEMENT ASSY AIR/C	ELEMENT ASSY AIR/C	1	
	17257	17257-LDC8-E00	DUCT AIR/C COVER	DUCT AIR/C COVER	1	
	19411	19411-KNBN-C10	CLIP HOSE	CLIP HOSE	1	
	32161	32161-4D04-001	BAND BI WIRE	BAND BI WIRE	2	
	93903	93903-25480	SCREW TAPPING 5*20	SCREW TAPPING 5*20	7	
	95701-06032	95701-06032-08	BOLT FLANGE 6*32	BOLT FLANGE 6*32	1	
	95701-06035	95701-06035-08	BOLT FLANGE SH 6*35	BOLT FLANGE SH 6*35	1	

F14

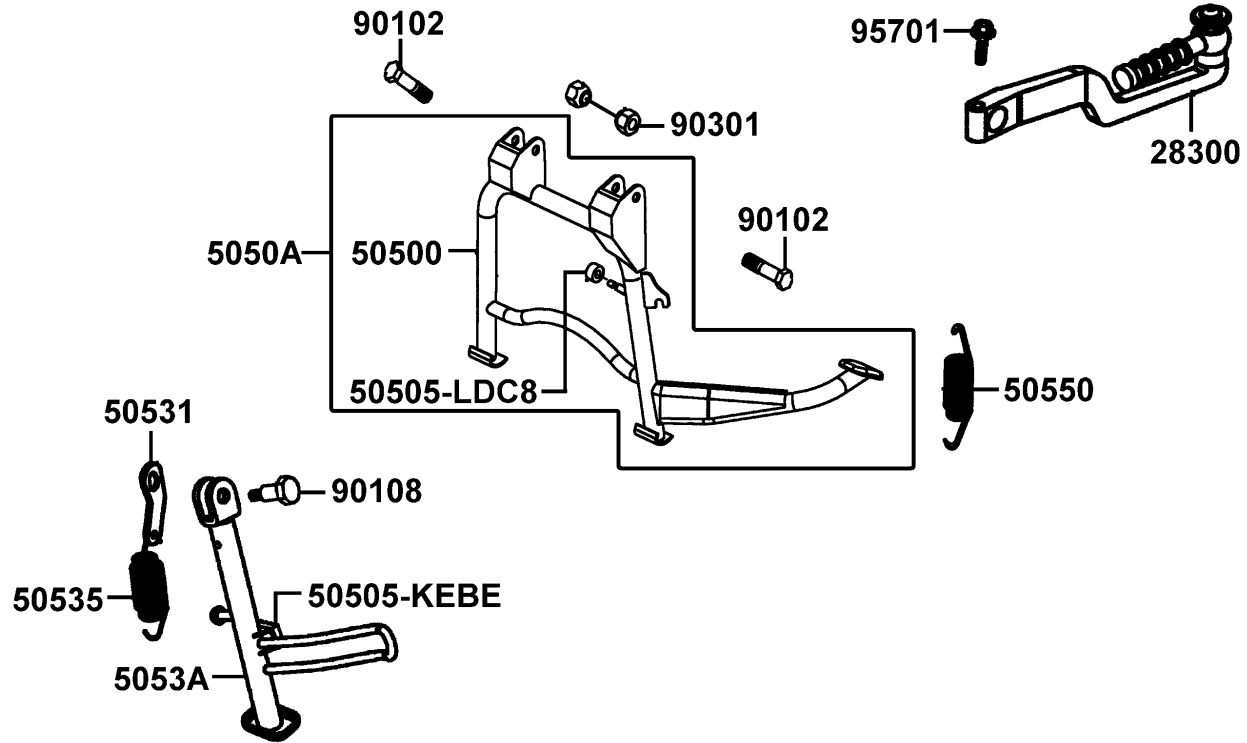
Exhaust Muffler



Sales mark	Ref no	Part no	Description	Reg description	Regd no	F14
	18291-GGA7	18291-GGA7-080	GASKET EXH PIPE	GASKET EXH PIPE	1	
	18291-KEBE	18291-KEBE-C00	COLLAR	COLLAR	6	
	18292	18292-KEBE-C00	PACKING PROTECTOR	PACKING PROTECTOR	6	
	18293	18293-KEBE-C00	RUBBER PKG PROTR	RUBBER PKG PROTR	3	
	18294	18294-KEBE-C00	PACKING PROTECTOR	PACKING PROTECTOR	9	
	1830A	1830A-LGB5-E10	MUFFLER ASSY	MUFFLER ASSY	1	
	18318	18318-LDA6-B80	PROTECTOR MUFFLER	PROTECTOR MUFFLER	2	
	90301	90301-KGBG-C00	NUT CAP 6MM	NUT CAP 6MM	1	
	95801-08055	95801-08055-07	BOLT FLANGE 8*55 (K)	BOLT FLANGE 8*55 (K)	1	
	95801-KGB5	95801-KGB5-C00	BOLT TORX M8x60	BOLT TORX M8x60	1	

F15

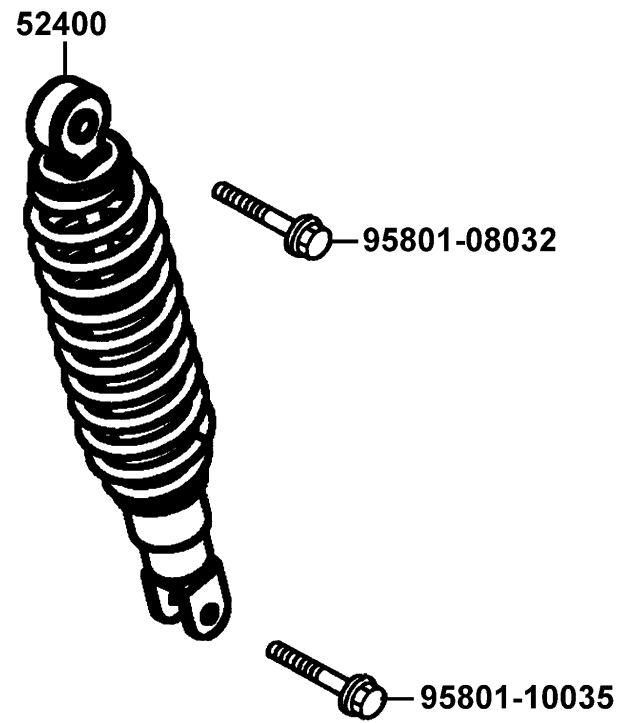
Stand Kick Starter Arm



Sales mark	Ref no	Part no	Description	Reg description	Regd no	F15
	28300	28300-KNBN-C00	ARM ASSY KICK STARTER	ARM ASSY KICK STARTER	1	
	50500	50500-LDC8-E10	STAND COMP MAIN	STAND COMP MAIN	1	
	50505-KEBE	50505-KEBE-900	STOPPER RUBBER	STOPPER RUBBER	1	
	50505-LDC8	50505-LDC8-E10	STOPPER RUBBER	STOPPER RUBBER	1	
	5050A	5050A-LDC8-E10	STAND COMP MAIN	STAND COMP MAIN	1	
	50531	50531-KEB7-E00	PLATE SPRING STOPPER	PLATE SPRING STOPPER	1	
	50535	50535-KEB7-W10	SPRING COMP SIDE STAND	SPRING COMP SIDE STAND	1	
	5053A	5053A-LDC8-E10	STAND ASSY SIDE	STAND ASSY SIDE	1	
	50550	50550-KEB7-E00	SPG ASSY MAIN STAND	SPG ASSY MAIN STAND	2	
	90102	90102-GLE0-001	BOLT HINGE PIVOT	BOLT HINGE PIVOT	1	
	90108	90108-KEB7-E00	SCREW SIDE STAND PIVOT	SCREW SIDE STAND PIVOT	2	
	90301	90301-4C73-C00	NUT U 6MM(C)	NUT U 6MM(C)	1	
	95701	95701-06022-07	BOLT FLANGE 6*22 (K)	BOLT FLANGE 6*22 (K)	1	

F16

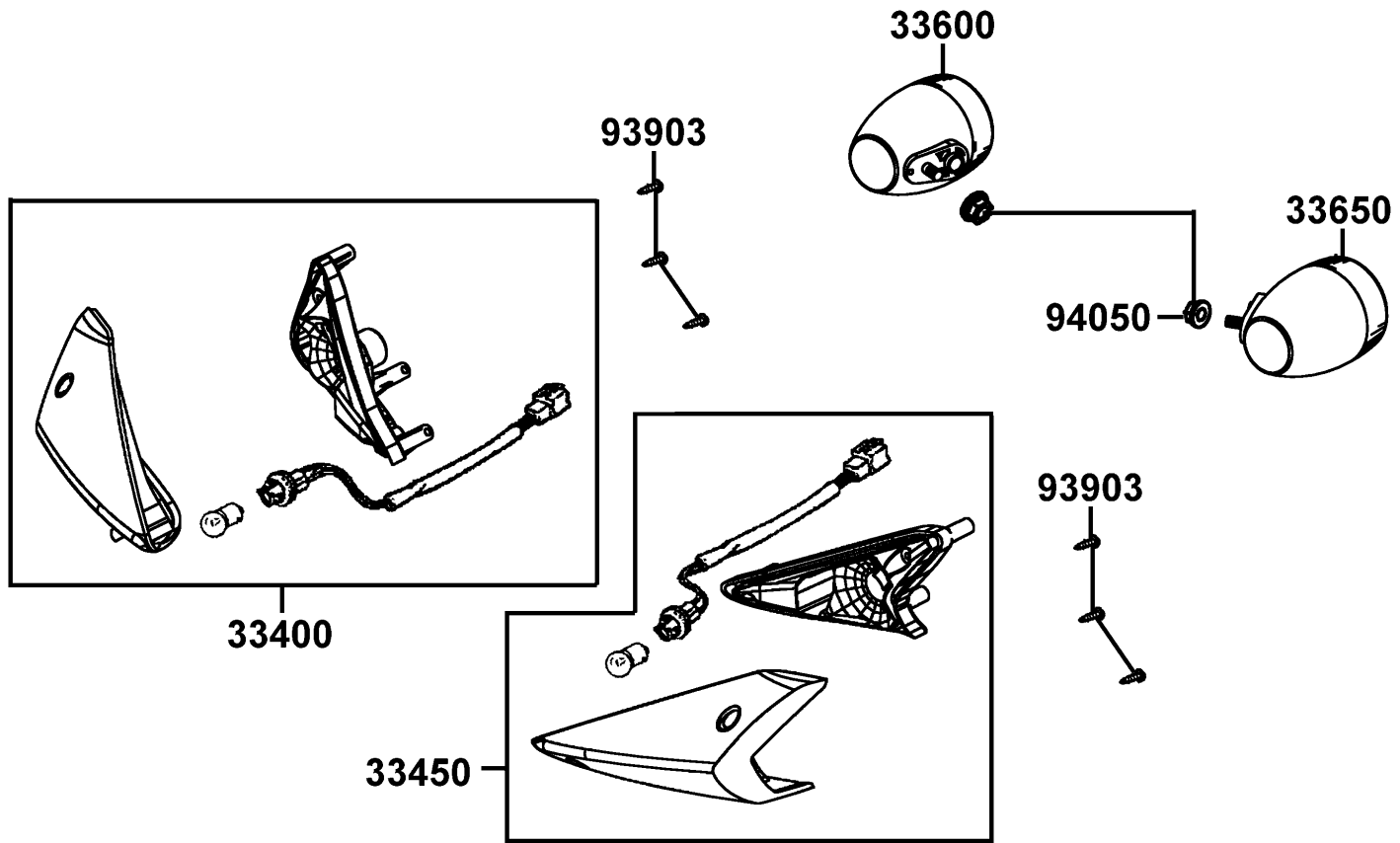
Rear Cushion



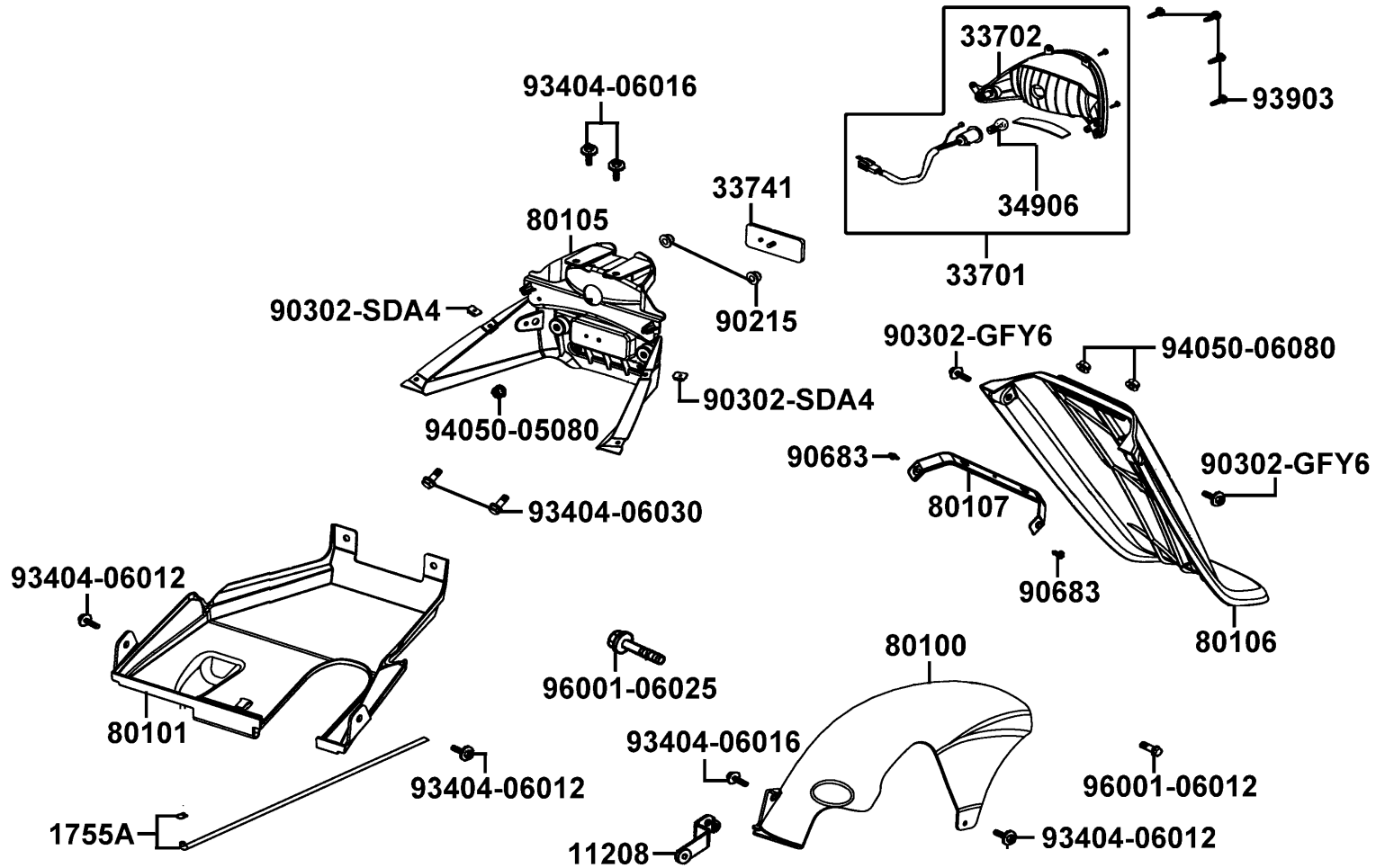
Sales mark	Ref no	Part no	Description	Reg description	Regd no	F16
**	52400	52400-LDC8-E10	CUSHION ASSY RR	CUSHION ASSY RR	1	
	95801-08032	95801-08032-08	BOLT FLANGE 8*32(C)	BOLT FLANGE 8*32(C)	1	
	95801-10035	95801-10035-08	BOLT FLANGE 10*35	BOLT FLANGE 10*35	1	

F17

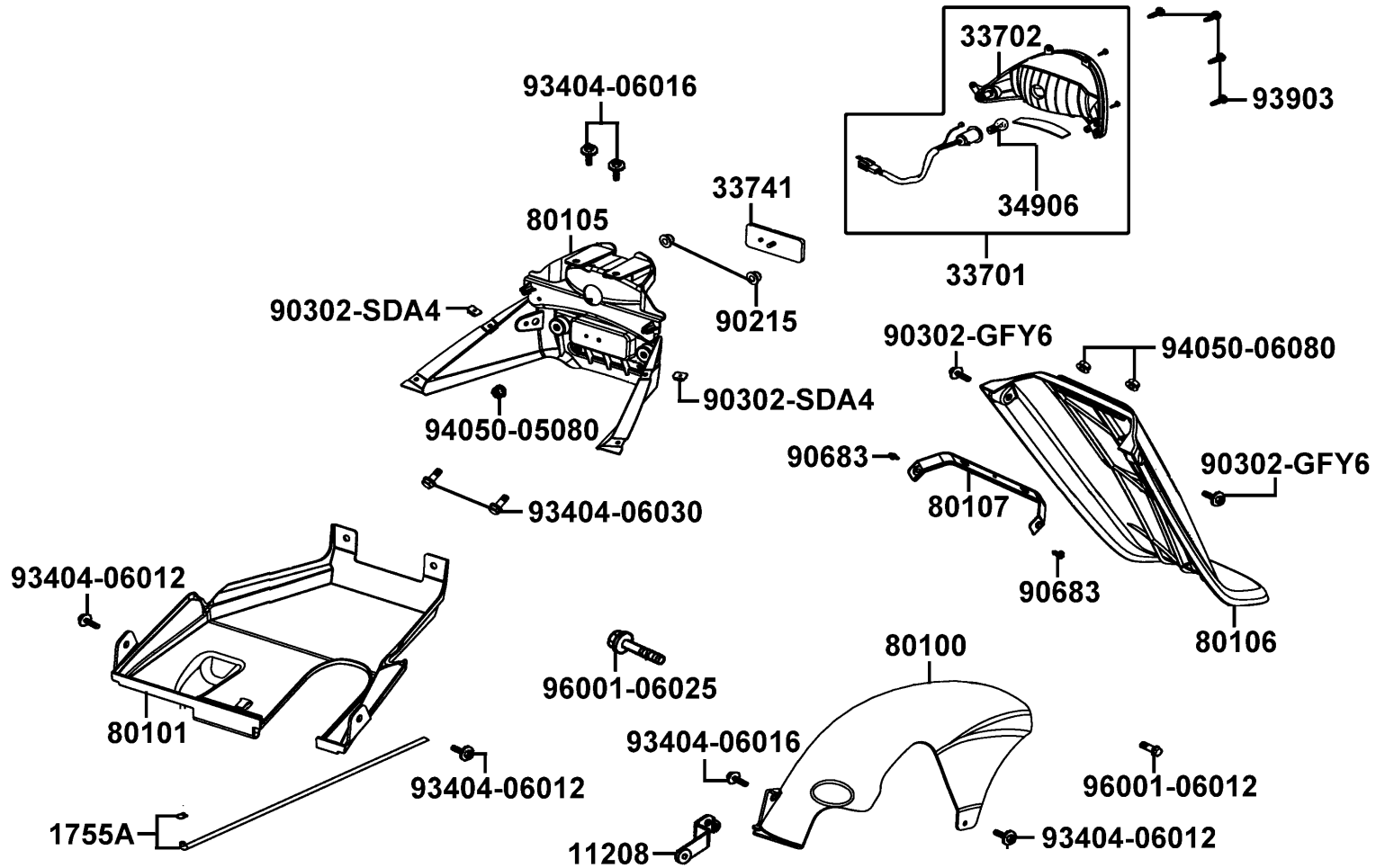
Front Winker



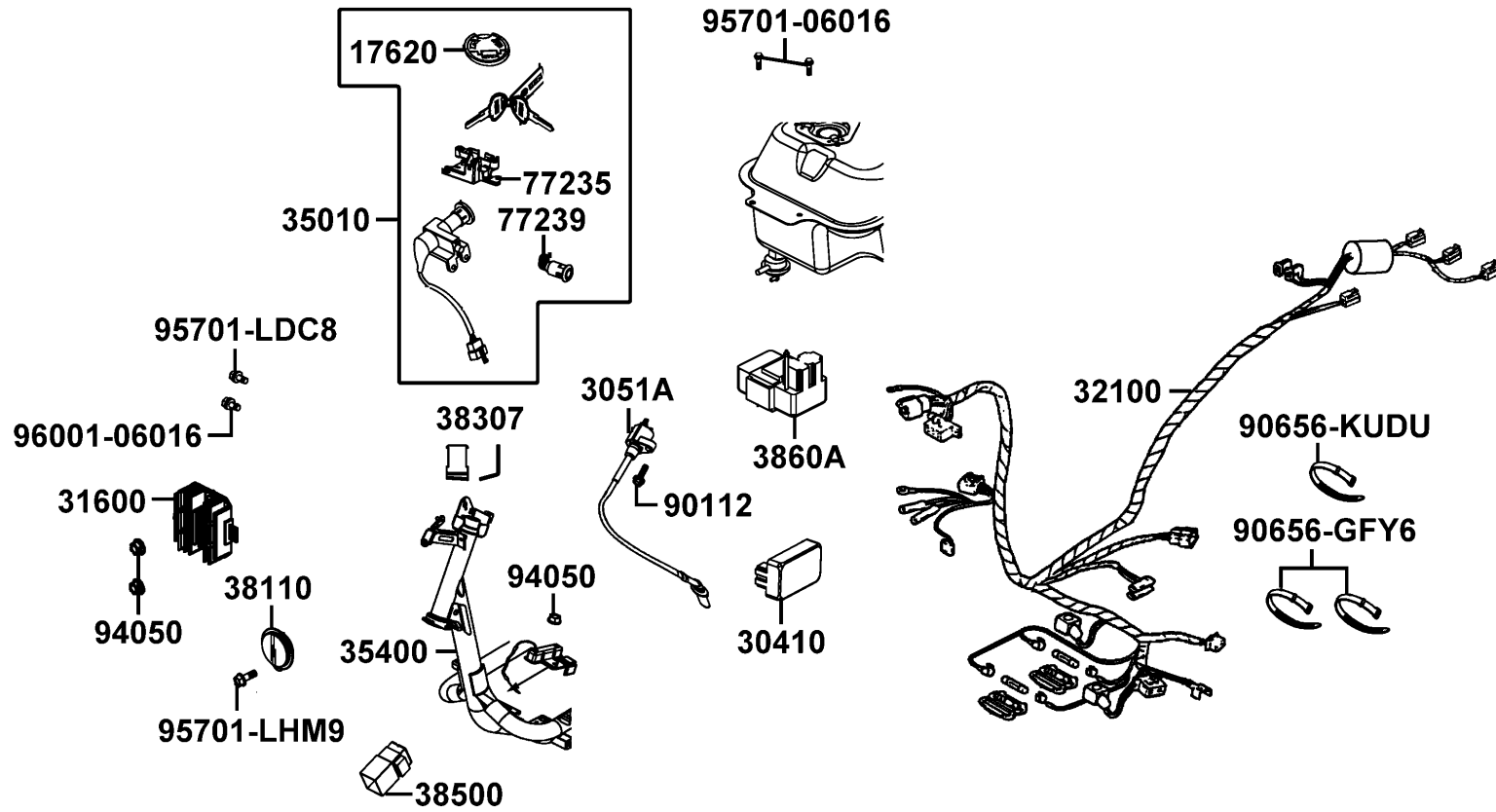
Sales mark	Ref no	Part no	Description	Reg description	Regd no	F17
	33400	33400-LGB5-E10	WINKER ASSY R FR	WINKER ASSY R FR	1	
	33450	33450-LGB5-E10	WINKER ASSY L FR	WINKER ASSY L FR	1	
	33600	33600-LDC8-E10	WINKER ASSY RH RR	WINKER ASSY RH RR	1	
	33650	33650-LDC8-E10	WINKER ASSY LH RR	WINKER ASSY LH RR	1	
	93903	93903-34380	SCREW TAPPING 4*12	SCREW TAPPING 4*12	12	
	94050	94050-05080	NUT FLANGE 5MM	NUT FLANGE 5MM	2	



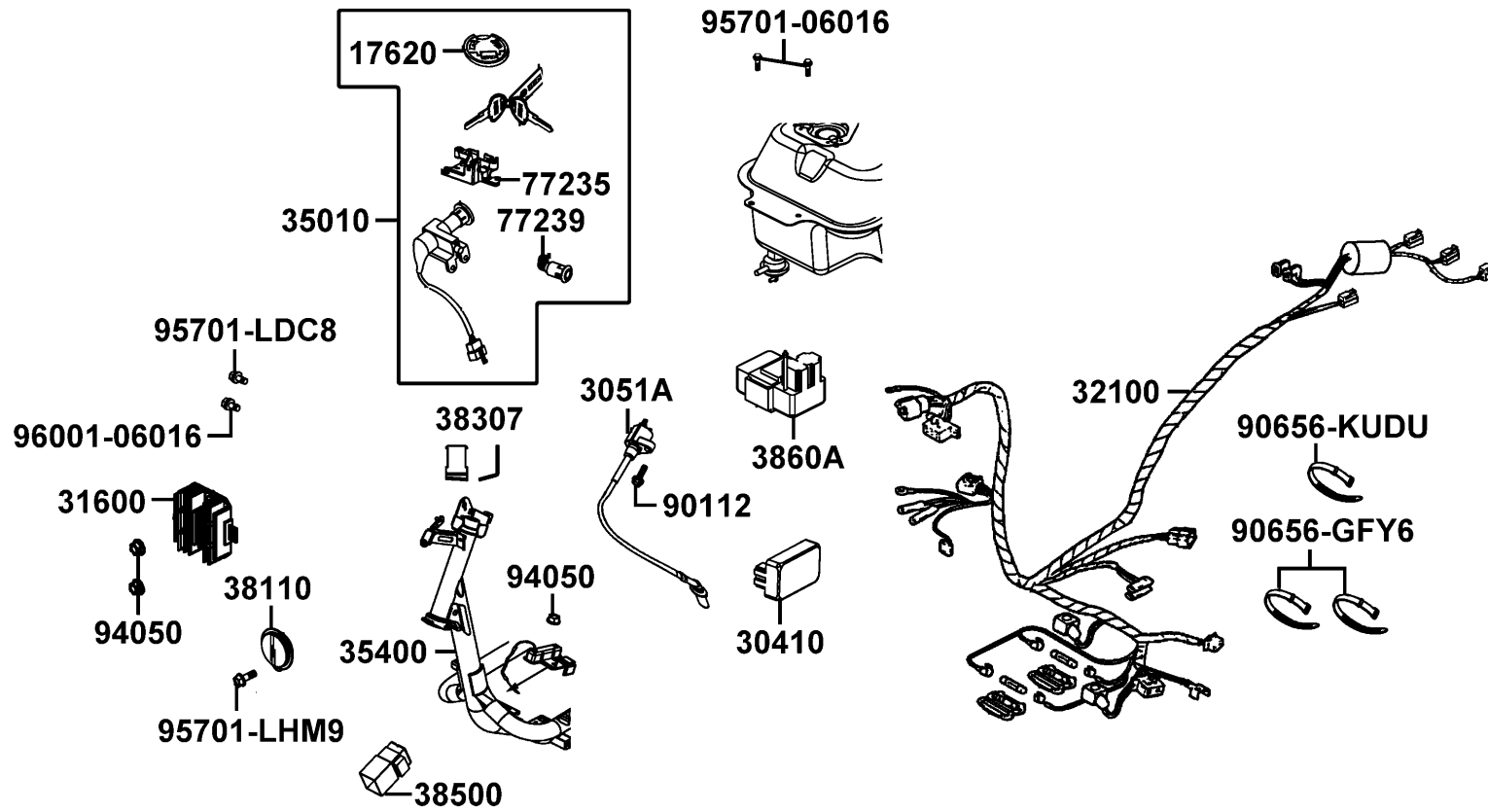
Sales mark	Ref no	Part no	Description	Reg description	Regd no	F18
	11208	11208-LBD6-C00	STAY RR TIRE FENDER	STAY RR TIRE FENDER	1	
	1755A	1755A-LDC8-E10	TUBE ASSY FUEL DRAIN	TUBE ASSY FUEL DRAIN	1	
	33701	33701-LDC8-E10	UNIT TAIL LIGHT	UNIT TAIL LIGHT	1	
	33702	33702-LDC8-E10	LENS TAIL HIGHT	LENS TAIL HIGHT	1	
	33741	33741-KEBE-C00	REFLEX REFLECTOR	REFLEX REFLECTOR	1	
	34906	34906-LBA8-E80	BULB TAIL & STOP	BULB TAIL & STOP	1	
**	80100	80100-LDC8-E10	FENDER RR TIRE	FENDER RR TIRE	1	
**	80101	80101-LCB9-C10	FENDER RR INNER	FENDER RR INNER	1	
**	80105	80105-LDC8-E10	FENDER RR	FENDER RR	1	
**	80106	80106-LDC8-E10	FENDER RR LOW	FENDER RR LOW	1	
	80107	80107-LDC8-E10	STAY RR FENDER	STAY RR FENDER	1	
	90215	90215-KKC4-C00	NUT CAP 6MM	NUT CAP 6MM	1	
	90302-GFY6	90302-GFY6-C10	BOLT-WASH 5*16	BOLT-WASH 5*16	1	
	90302-SDA4	90302-SDA4-C00	NUT SPRING 4MM	NUT SPRING 4MM	1	
	90683	90683-GAR1-C00	CLIP BODY COVER	CLIP BODY COVER	1	
	93404-06012	93404-06012-07	BOLT WASH 6*12	BOLT WASH 6*12	3	
	93404-06016	93404-06016-07	BOLT WASHER 6*16 (K)	BOLT WASHER 6*16 (K)	3	
	93404-06030	93404-06030-07	BOLT WASHER 6*30K	BOLT WASHER 6*30K	2	
	93903	93903-34380	SCREW TAPPING 4*12	SCREW TAPPING 4*12	4	
	94050-05080	94050-05080	NUT FLANGE 5MM	NUT FLANGE 5MM	1	



Sales mark	Ref no	Part no	Description	Reg description	Regd no	F18
	94050-06080	94050-06080	NUT FLANGE 6MM	NUT FLANGE 6MM	2	
	96001-06012	96001-06012-08	BOLT FLANGE 6*12	BOLT FLANGE 6*12	1	
	96001-06025	96001-06025-08	BOLT FLANGE SH 6*25	BOLT FLANGE SH 6*25	1	



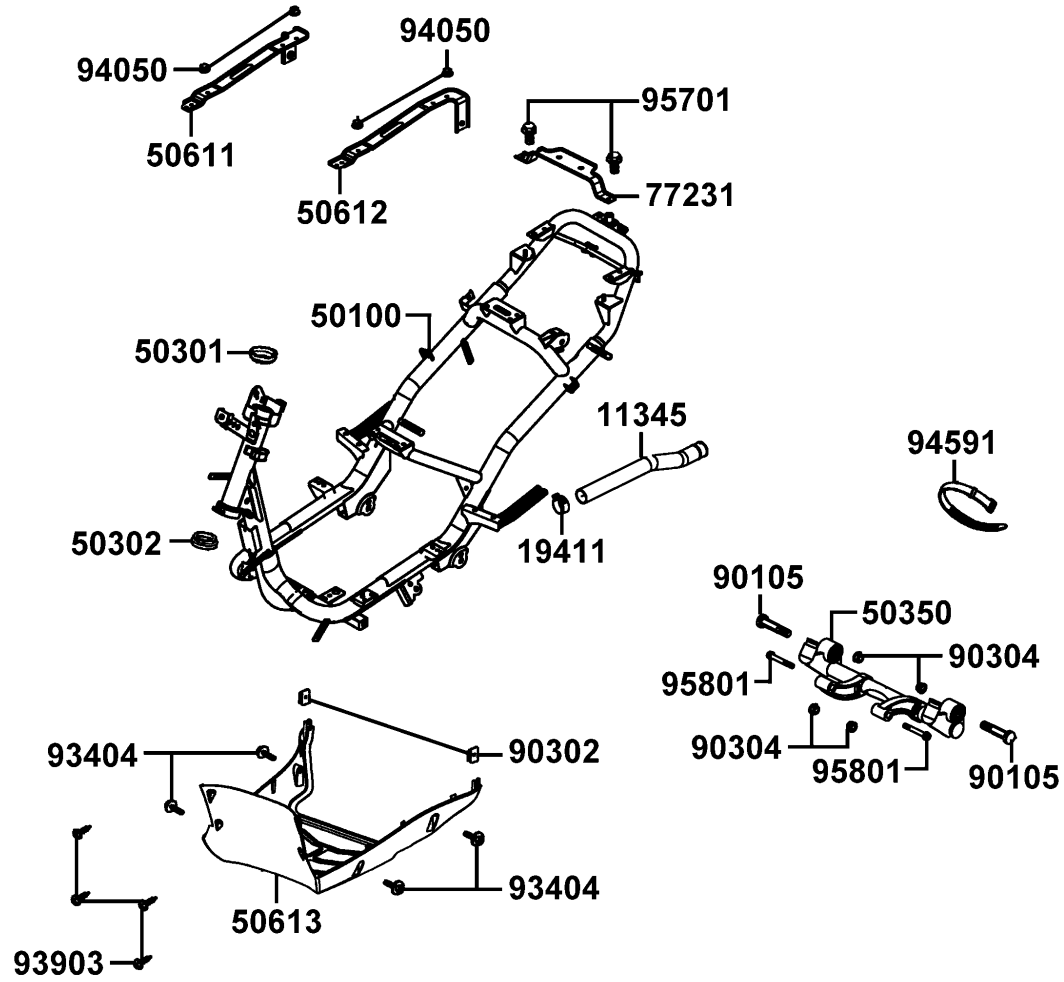
Sales mark	Ref no	Part no	Description	Reg description	Regd no	F19
	17620	17620-LDF7-E10	CAP COMP FUEL FILLER	CAP COMP FUEL FILLER	1	
	30410	30410-LEJ2-E10	UNIT COMP CDI	UNIT COMP CDI	1	
	3051A	3051A-KHC4-C00	COIL ASSY IGN	COIL ASSY IGN	1	
	31600	31600-LCD3-C00	REG REC COMP (DC)	REG REC COMP (DC)	1	
	31600	31605-KBE2-981	STAY REG REC COMP	STAY REG REC COMP	1	
	32100	32100-ALA9-E70	HARNESS WIRE	HARNESS WIRE	1	
	35010	35010-ALA9-E70	KEY SET	KEY SET	1	
	35400	35400-LEJ2-E10	RESISTOR COMP	RESISTOR COMP	1	
	38110	38110-LHM9-E10	HORN COMP	HORN COMP	1	
	38307	38307-LHM9-E60	STAY WINKER RELAY	STAY WINKER RELAY	1	
	38500	38500-KKDK-C00	SET START MAG	SET START MAG	1	
	3860A	3860A-ALA9-E70	CONTROL ASSY LIGHTING	CONTROL ASSY LIGHTING	1	
	77235	77235-KGC4-E0B	SEAT CATCH	SEAT CATCH	1	
	77239	77239-GFY6-C00	KEY SEAT LOCK	KEY SEAT LOCK	1	
	90112	90112-KRDR-C00	BOLT FLANGE 5*22	BOLT FLANGE 5*22	1	
	90656-GFY6	90656-GFY6-911	BAND OIL HOSE	BAND OIL HOSE	2	
	90656-KUDU	90656-KUDU-900	BAND HARNESS WIRE	BAND HARNESS WIRE	1	
	94050	94050-06080	NUT FLANGE 6MM	NUT FLANGE 6MM	3	
	95701-06016	95701-06016-08	BOLT FLANGE 6*16	BOLT FLANGE 6*16	2	
	95701-LDC8	95701-LDC8-E10	BOLT TORQUE 6x16	BOLT TORQUE 6x16	1	



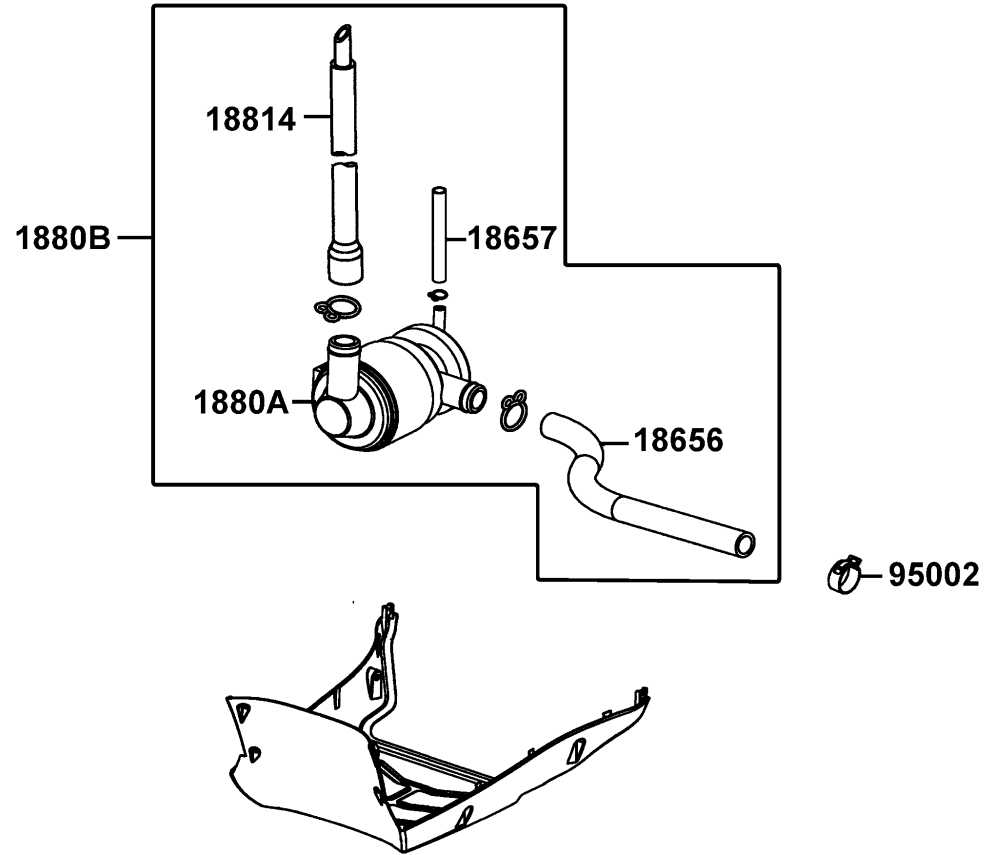
Sales mark	Ref no	Part no	Description	Reg description	Regd no	F19
	95701-LHM9	95701-LHM9-E60	BOLT FLANGE 8*12 (C)	BOLT FLANGE 8*12 (C)	1	
	96001	96001-06016-08	BOLT FLANGE SH 6*16	BOLT FLANGE SH 6*16	1	

F20

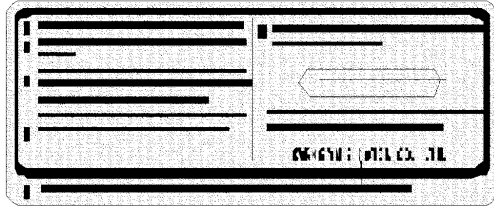
Frame Body



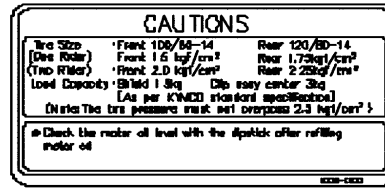
Sales mark	Ref no	Part no	Description	Reg description	Regd no	F20
	11345	11345-LDC8-E10	DUCT L COVER	DUCT L COVER	1	
	19411	19411-KNBN-C10	CLIP HOSE	CLIP HOSE	1	
	50100	50100-ALA9-E70	BODY COMP FRAME	BODY COMP FRAME	1	
	50301	50301-GLM0-C00	RACE UPPER STRG BALL	RACE UPPER STRG BALL	1	
	50302	50302-2H68-011	RACE STRG BOT BALL	RACE STRG BOT BALL	1	
	50350	50350-LDC8-E10	HANGER ASSY ENG	HANGER ASSY ENG	1	
	50611	50611-LCB9-C10	RNFCT R FLOOR	RNFCT R FLOOR	1	
	50612	50612-LCB9-C10	RNFCT L FLOOR	RNFCT L FLOOR	1	
**	50613	50613-LCB9-C10	COVER UNDER	COVER UNDER	1	
	77231	77231-LCB9-C10	STAY SEAT RUBBER	STAY SEAT RUBBER	1	
	90105	90105-LDC8-E10	SQUARE BOLT M10*50	SQUARE BOLT M10*50	2	
	90302	90302-SDA4-C00	NUT SPRING 4MM	NUT SPRING 4MM	1	
	90304	90304-GHE8-C00	NUT U 10MM(C)	NUT U 10MM(C)	1	
	93404	93404-06016-07	BOLT WASHER 6*16 (K)	BOLT WASHER 6*16 (K)	4	
	93903	93903-34380	SCREW TAPPING 4*12	SCREW TAPPING 4*12	4	
	94050	94050-06080	NUT FLANGE 6MM	NUT FLANGE 6MM	4	
	94591	94591-11000	CLIP 1*100	CLIP 1*100	2	
	95701	95701-06012-08	BOLT FLANGE 6*12	BOLT FLANGE 6*12	2	
	95801	95801-10070-08	BOLT FLANGE 10*70	BOLT FLANGE 10*70	1	



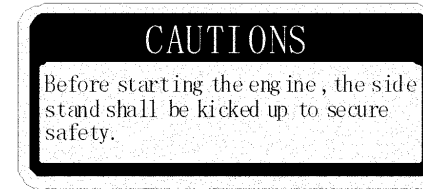
Sales mark	Ref no	Part no	Description	Reg description	Regd no	F21
	18656	18656-LDC8-E10	DUCT ASSY AICV-REED VALVE	DUCT ASSY AICV-REED VALVE	1	
	18657	18657-LDC8-E10	TUBE ASSY AICV-INNET PIPE	TUBE ASSY AICV-INNET PIPE	1	
	1880A	1880A-LDC8-E10	AI/C-AICV ASSY	AI/C-AICV ASSY	1	
	1880B	1880B-LDC8-E10	AI/C-AICV SET	AI/C-AICV SET	1	
	18814	18814-LDC8-E10	DUCT ASSY AIR-AICV	DUCT ASSY AIR-AICV	1	
	95002	95002-KKD6-C00	CLAMP D18 TUBE	CLAMP D18 TUBE	1	



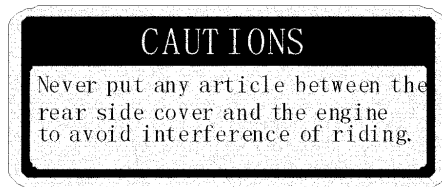
87560



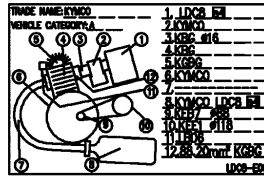
87505



87541-GAR1



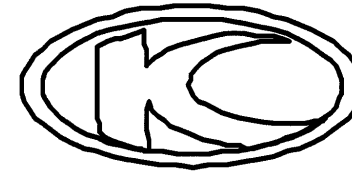
87542



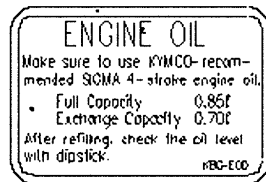
87224



87160



86102



87541-KGBG



86221



86231



86732



86733



86734



86735

Sales mark	Ref no	Part no	Description	Reg description	Regd no	F22
**	86102	86102-KFA6-C10	EMB K-LOGO 30MM	EMB K-LOGO 30MM	1	
**	86221	86221-ALA9-E70	STRIPE R BODY COVER	STRIPE R BODY COVER	1	
**	86231	86231-ALA9-E70	STRIPE L BODY COVER	STRIPE L BODY COVER	1	
**	86732	86732-ALA9-E70	STRIPE R LEG SHIELD	STRIPE R LEG SHIELD	1	
**	86733	86733-ALA9-E70	STRIPE L LEG SHIELD	STRIPE L LEG SHIELD	1	
**	86734	86734-ALA9-E70	STRIPE B R LEG SHIELD	STRIPE B R LEG SHIELD	1	
**	86735	86735-ALA9-E70	STRIPE B L LEG SHIELD	STRIPE B L LEG SHIELD	1	
**	87160	87160-LDC8-E90	STRIPE KYMCO	STRIPE KYMCO	2	
**	87224	87224-ALA9-E70	CAUTION ANTI TAMPERING	CAUTION ANTI TAMPERING	1	
**	87505	87505-LDC8-E10	LABEL TIRE	LABEL TIRE	1	
**	87541-GAR1	87541-GAR1-E01	CAUTION SIDE STAND	CAUTION SIDE STAND	1	
	87541-KGBG	87541-KGBG-E00	LABEL OIL CAP	LABEL OIL CAP	1	
**	87542	87542-GAR1-E01	MARK MAINT CAUTION	MARK MAINT CAUTION	1	
**	87560	87560-GFY6-E01	MARK DRIVE CAUTION	MARK DRIVE CAUTION	1	

PART NO. INDEX

PART NO.	VERSION	PAGE	PART NO.	VERSION	PAGE	PART NO.	VERSION	PAGE
			12211-KGBG-C00	0	E02	14555-KKJ9-C10	0	E03
			12251-KGBG-C00	0	E02	14610-KGBG-C00	0	E03
			12310-KHC5-C00	0	E02	14711-KGBG-C00	0	E02
11100-KGBG-C00	8	E01	1231A-KHC5-C10	0	E02	14721-KGBG-C00	0	E02
11102-1G87-C00	1	E01	12361-GFY6-C00	1	E04	14751-KGBG-C00	0	E02
11192-KGBG-C10	0	E01	12391-KEE1-C00	0	E02	14771-GDB4-C00	1	E02
11200-LBD6-C00	0	E01				14775-MFA6-C00	1	E02
11208-LBD6-C00	0	E08	13000			14781-MFA6-C00	1	E02
11208-LBD6-C00	0	F18				15000		
11211-LBD6-E00	2	F13	13000-LDC5-C00	6	E03			
11330-LBD6-C00	0	E04	13011-KGBG-C00	0	E03	15100-LDC5-C00	3	E07
11340-LBD6-E00	2	E01	13101-LCB9-B20	2	E03	15133-LDC5-C00	2	E07
11345-LDC8-E10	1	F20	13111-KGBG-C00	0	E03	15421-1G07-W10	1	E04
11381-KHC4-C00	0	E01	13115-0A01-C00	0	E03	15426-GAE1-C00	1	E04
11382-LBD6-C00	0	E01				15651-GFY6-C00	1	E04
11387-KGBG-C00	0	E02	14000			1565A-GFY6-W10	0	E04
11394-KGBG-C11	0	E04						
11395-LBD6-C00	0	E01	14100-KGBG-C00	4	E02			
			14401-KGBG-900	0	E03	16000		
			14431-KGBG-W10	0	E02			
			14450-KGBG-W10	0	E02	16093-5082-000	0	F09
			14452-KGBG-W10	0	E02	16100-ALA9-E70	0	E05
12000			14510-KGBG-C00	0	E03	1621A-KGBG-C00	2	E02
12100-KGBG-A60	3	E03	14531-GLR0-W10	1	E03	1691A-LDF7-E10	1	F10
12191-KGBG-C10	0	E03	1453A-GFY6-W10	0	E03	16950-KKJ9-C00	2	F10
12200-KGBG-C10	0	E02	14550-KDS4-C00	0	E03			
12200-LBD6-C00	0	E02						
12209-GDB4-68A	0	E02						

PART NO. INDEX

PART NO.	VERSION	PAGE	PART NO.	VERSION	PAGE	PART NO.	VERSION	PAGE
17000			18293-KEBE-C00	0	F14	22000		
17110-KGBG-C00	0	E02	18294-KEBE-C00	0	F14	22100-LDC8-E10	0	E06
1711A-LBD6-C00	0	E02	1830A-LGB5-E10	3	F14	22102-LDC8-E10	0	E06
17200-LDC8-E11	1	F13	18318-LDA6-B80	0	F14	22103-KEB7-C00	0	E06
1720A-LDC8-E11	0	F13	18646-GFY6-C10	1	E02	22105-KGBG-C00	0	F09
17213-LBD6-E00	1	F13	18656-LDC8-E10	1	F21	22105-LBD6-C00	0	E06
17214-LBA6-E00	0	F13	18657-LDC8-E10	1	F21	22110-LDC8-E10	2	E06
17236-KFBF-C00	0	F13	1880A-LDC8-E10	2	F21	22121-LBD6-C00	0	E06
1723B-LBD6-E00	1	F13	1880B-LDC8-E10	2	F21	22131-GHAH-C00	0	E06
1723C-LBD6-E00	0	F13	18814-LDC8-E10	1	F21	22132-GLW0-C00	0	E06
17256-KGBG-C00	0	E02	19000			22300-LDC8-E10	1	E06
17257-LDC8-E00	1	F13	19411-KNBN-C10	1	F13	22350-GKAK-C00	0	E06
17500-LCB9-C10	3	F10	19411-KNBN-C10	1	F20	22401-LDC8-C10	0	E06
1755A-KKD5-C10	1	F10	19510-LDC5-C00	0	E08	22535-GKAK-C00	0	E06
1755A-LDC8-E10	1	F18	19610-LFC2-E10	1	E08	22804-1H48-C00	0	E06
17620-LDF7-E10	0	F10	19625-KEE1-C00	0	E08	23000		
17620-LDF7-E10	0	F19	1962A-KEE1-C00	0	E08	23010-LDC8-C10	0	E06
17910-LDC8-E10	1	F03	1963A-LDC8-E10	1	E08	2301A-LDC8-E10	1	E06
18000			21000			23100-KEB7-C00	0	E06
18291-GGA7-080	1	F14	21200-KFA1-900	2	E09	23200-GAR1-C00	0	E06
18291-KEBE-C00	0	F14	21395-KNBN-C10	0	E09	23210-GAR1-C00	0	E06
18292-KEBE-C00	0	F14				23220-LDC8-C10	0	E06

PART NO. INDEX

PART NO.	VERSION	PAGE	PART NO.	VERSION	PAGE	PART NO.	VERSION	PAGE
23225-GAR1-C00	0	E06				33702-LDC8-E10	0	F18
23233-KEE1-C00	0	E06	31000			33730-LDC8-E10	2	F06
23237-GAR1-C00	0	E06				33741-KEBE-C00	0	F18
23238-GGS7-C00	0	E06	31100-LEJ2-E11	00	E08			
23411-LBD6-C00	1	E09	31110-LBD6-C00	0	E08	34000		
23420-LBD6-C00	3	E09	31120-LBD6-C00	0	E08			
23432-LBD6-C00	2	E09	31209-KEE1-C00	2	E07	34901-LDC8-E10	1	F01
2343A-KNBN-C00	0	E09	31210-KEE1-900	1	E07	34903-LDC8-E10	1	F01
28000			31500-KNBN-C00	5	F11	34906-LBA8-E80	1	F18
			31600-LCD3-C00	3	F19	34908-LEJ2-E00	0	F02
						34909-LEJ2-E00	0	F02
28211-KEB7-W10	0	E06	32000					
28230-GHAH-7210	0	E01				35000		
2823A-LBD6-C00	2	E01	32100-ALA9-E70	2	F19			
28250-GBN2-C00	0	E01	32161-4D04-001	1	F13	35010-ALA9-E70	0	F19
28253-GBN2-C00	1	E01				3515A-LGB5-E10	3	F03
28255-GFS6-C00	1	E01	33000			3520A-LGB5-E10	3	F03
28281-GBN2-C00	1	E01				35340-KNBN-901	1	F04
28300-KNBN-C00	3	F15	33100-ALA9-E70	1	F01	35400-LEJ2-E10	0	F19
30000			33108-LEJ2-E10	0	F01			
			33120-ALA9-E70	0	F01	37000		
			33400-LGB5-E10	0	F17			
30410-LEJ2-E10	2	F19	33450-LGB5-E10	0	F17	37200-ALA9-E70	0	F02
3051A-KHC4-C00	1	F19	33600-LDC8-E10	3	F17	37211-ALA9-E70	0	F02
			33650-LDC8-E10	1	F17	37213-ALA9-E70	0	F02
			33701-LDC8-E10	2	F18	37215-KAR1-C00	0	F02

PART NO. INDEX

PART NO.	VERSION	PAGE	PART NO.	VERSION	PAGE	PART NO.	VERSION	PAGE
37220-ALA9-E70	0	F02	43410-KFA1-900	0	F08	4550B-ALA9-E70	0	F04
37224-ALA9-E70	0	F02	43450-LDC8-E10	4	F03	45513-LDC8-E10	0	F04
37280-ALA9-E70	0	F02				45517-KFAF-910	1	F04
37305-KEE5-008	0	F02	44000					
37802-GGA7-701	0	F10				50000		
3780A-LDC8-E10	0	F10	44305-KGE2-E00	9	F07			
			44306-KGE2-E00	9	F07	50100-ALA9-E70	1	F20
38000			44311-GLW0-W10	1	F07	50301-GLM0-C00	1	F20
			44601-KEB7-E0E	0	F07	50302-2H68-011	2	F20
38110-LHM9-E10	0	F19	44601-KEB7-E0E	1	F07	50306-1F96-001	0	F06
38300-KECE-W10	2	F02	44620-KEB7-E00	0	F07	50326-LCB9-C10	0	F11
38307-LHM9-E60	0	F19	44710-LDC8-E1A	0	F07	50330-KEBE-900	0	F05
38500-KKDK-C00	5	F19	44800-LDC8-E10	1	F07	50350-LDC8-E10	3	F20
3860A-ALA9-E70	0	F19	44830-LDC8-E10	3	F02	50500-LDC8-E10	0	F15
						50505-KEBE-900	0	F15
42000			45000			50505-LDC8-E10	0	F15
						5050A-LDC8-E10	0	F15
42601-KEB7-E0E	0	F08	45105-LFC2-E1B	0	F04	50531-KEB7-E00	1	F15
42710-LDC8-E1A	0	F08	45106-LFC2-E1B	0	F04	50535-KEB7-W10	3	F15
42753-0A01-C00	1	F07	45121-LGB5-E80	2	F07	5053A-LDC8-E10	1	F15
42753-0A01-C00	1	F08	45126-ALA9-E70	0	F04	50550-KEB7-E00	1	F15
			45156-KHC5-E10	0	F06	50611-LCB9-C10	1	F20
43000			45156-LCB9-B20	0	F06	50612-LCB9-C10	1	F20
			45200-ALA9-E70	0	F04	50613-LCB9-C10	0	F20
4312A-KXCX-C00	8	F08	45500-LDC8-E10	3	F04			
4314A-KKD6-E00	2	F08	45501-LDC8-E10	2	F04			

PART NO. INDEX

PART NO.	VERSION	PAGE	PART NO.	VERSION	PAGE	PART NO.	VERSION	PAGE
51000			53212-2L50-C00	1	F06			
			53214-2L50-C00	1	F06	80000		
			53215-2L50-C00	1	F06			
51400-LDC8-E10	0	F06				80100-LDC8-E10	0	F18
51400-LDC8-E10	4	F06	61000			80101-LCB9-C10	0	F18
51500-LDC8-E10	0	F06				80101-LCB9-C10	1	F18
51500-LDC8-E10	4	F06	61100-LDC8-E10	0	F06	80105-LDC8-E10	0	F18
						80106-LDC8-E10	0	F18
52000			64000			80107-LDC8-E10	1	F18
52400-LDC8-E10	0	F16	64301-ALA9-E70	0	F05	80151-LCB9-C10	0	F12
52400-LDC8-E10	2	F16	64310-LCB9-C10	0	F05			
			64316-LCB9-C10	0	F05	81000		
						81131-ALA9-E70	1	F05
53000			77000			81132-LCB9-C10	0	F05
53100-LGB5-E10	2	F03				81132-LDC8-E10	1	F05
53105-KNBN-C00	0	F03	77200-LDF7-E10	0	F09	81133-KNBN-C00	1	F05
53125-GEN5-C00	1	F03	77206-LCB9-C10	0	F09	8120A-LCB9-C10	1	F12
53140-KNBN-C00	0	F03	77231-LCB9-C10	0	F20	81250-LCB9-C10	1	F12
53166-KNBN-C00	0	F03	77232-KCAC-C00	2	F12	81250-LCB9-C10	2	F12
53175-LDC8-E10	1	F04	77235-KGC4-E0B	2	F19	81251-LCB9-C10	0	F12
5317B-KFA6-C00	0	F03	77239-GFY6-C00	0	F19			
53200-LDC8-E10	6	F06	77240-LDC8-E10	1	F12	83000		
53205-LGB5-E10	1	F03						
53206-LGB5-E10	1	F03				83500-LDF6-B20	0	F12
53211-GFY6-C00	1	F06				83600-LDF6-B20	0	F12

PART NO. INDEX

PART NO.	VERSION	PAGE	PART NO.	VERSION	PAGE	PART NO.	VERSION	PAGE
86000			88000			90111-1G87-C00	1	F12
86102-KFA6-C10	0	F22	88110-LEB5-C10	1	F03	90112-KRDR-C00	1	F19
86221-ALA9-E70	0	F22	88120-LEB5-C10	1	F03	90114-1F66-C00	2	F04
86231-ALA9-E70	0	F22				90121-KBE2-C00	4	F07
86732-ALA9-E70	0	F22	89000			90131-GLW0-C00	0	F04
86733-ALA9-E70	0	F22				90145-9A61-C00	1	F04
86734-ALA9-E70	0	F22	89010-KGBG-C00	1	F09	90202-1G87-C00	0	E06
86735-ALA9-E70	0	F22	89020-KKC4-900	1	F09	90202-GFF6-011	0	E02
87000			90000			90206-0A01-001	1	E02
87160-LDC8-E90	0	F22	9000A-KTDT-C00	1	E01	90215-KKC4-C00	1	F18
87160-LDC8-E90	1	F22	90012-3C33-C00	1	E02	90301-4C73-C00	0	F15
87224-ALA9-E70	0	F22	90031-KGBG-C00	0	E01	90301-KGBG-C00	0	F14
87224-ALA9-E70	3	F22	90032-KGBG-C00	0	E01	90302-GFY6-C10	0	F18
87505-LDC8-E10	2	F22	90033-0A41-C00	0	E02	90302-KNBN-C00	1	F03
87505-LDC8-E10	3	F22	90033-GFY6-C10	0	E02	90302-SDA4-C00	2	F03
87541-GAR1-E01	1	F22	90102-GLE0-001	0	F15	90302-SDA4-C00	2	F05
87541-KGBG-E00	0	F22	90105-KCR3-001	1	F07	90302-SDA4-C00	2	F18
87542-GAR1-E01	2	F22	90105-LDC8-E10	1	F20	90302-SDA4-C00	2	F20
87560-GFY6-E01	3	F22	90106-GEN5-901	1	F03	90304-4H38-C00	0	E02
			90108-KEB7-E00	0	F15	90304-GHE8-C00	1	F03
			90110-GLW0-C00	0	F05	90304-GHE8-C00	1	F20
			90110-KEB7-C00	1	F06	90305-GHK8-C00	1	F12
						90305-KNBN-C00	1	F08
						90306-KLF0-C00	0	F07
						90381-GEZ5-C00	1	F12
						90412-3K29-C00	1	E01

PART NO. INDEX

PART NO.	VERSION	PAGE	PART NO.	VERSION	PAGE	PART NO.	VERSION	PAGE	
90426-KNBN-C00	1	E06	91004-KBN2-C00	0	E01	93000			
90429-KNBN-C00	0	E09	91004-KBN2-C00	0	E09				
90442-0D44-C00	0	E06	91004-KNBN-C00	0	E01				
90442-GFF6-C00	0	E02	91009-GLE0-C00	1	E09		93404-06012-07	0	F18
90451-GBN2-C00	1	E01	91014-LLJ3-C00	1	F06		93404-06016-07	0	F05
90454-GBB2-C00	0	E06	91015-LLJ3-C00	1	F06		93404-06016-07	0	F12
90474-3C33-C00	1	E01	91103-GAR1-C00	0	E06		93404-06016-07	0	F18
90501-KNBN-C00	1	F08	91201-GFY6-C00	1	E01		93404-06016-07	0	F20
9052A-GFY6-C00	1	E01	91201-KGBG-C00	0	E04		93404-06020-07	0	F05
90545-3L00-C00	2	F04	91204-KNBN-C00	1	E01		93404-06030-07	0	F18
90656-GFY6-911	1	F19	91211-KEE1-C00	0	E06		93600-04012-1G	1	F04
90656-KUDU-900	0	F19	91255-LDC8-E10	4	E09		93700-05018-0H	0	F02
90660-KGBG-C00	0	F10	91258-KAM1-C00	1	F07		93891-04014-08	0	F02
90668-LDC8-E10	1	F06	91301-GLR0-W10	1	E03		93893-04012-08	0	F04
90683-GAR1-C00	4	F12	91301-KEE1-C00	0	E06		93903-25220	1	F03
90683-GAR1-C00	4	F18	91302-0A01-C00	1	E04		93903-25480	1	F13
90701-GFF6-C00	0	E02	91302-KEE1-C00	0	E06		93903-34380	1	F02
90701-GFF6-C00	0	E03	91304-KGBG-C00	0	E02		93903-34380	1	F03
90701-HDC4-C00	1	E07	91305-0H28-C00	0	E07		93903-34380	1	F05
90741-0E35-C00	0	E03	91307-0E35-W10	1	E04	93903-34380	1	F12	
90754-GHC8-C00	1	F07				93903-34380	1	F17	
90912-GHC8-C00	1	F07	92000			93903-34380	1	F18	
91000			92101-05012-0H	1	E08	93903-34380	1	F20	
			92900-06050-0B	1	E02	93903-35220	1	F01	
						93903-35380	1	F11	
91001-GGA7-C00	0	E06				93903-GFY6-C00	1	F03	

PART NO. INDEX

PART NO.	VERSION	PAGE	PART NO.	VERSION	PAGE	PART NO.	VERSION	PAGE
93903-GFY6-C00	1	F05	94591-11000	0	F20	95801-08055-07	0	F14
93903-GFY6-C00	1	F12	94591-LDC8-E10	1	E08	95801-10035-08	1	F16
93904-35380	0	E08				95801-10070-08	0	F20
94000			95000			95801-KGB5-C00	1	F14
			95002-KKD6-C00	1	F21	96000		
94001-12280-0S	0	E06	9500B-LDC8-E10	3	F10			
94050-05080	0	F06	95701-06012-08	1	F06	96001-06012-02	1	E01
94050-05080	0	F17	95701-06012-08	1	F10	96001-06012-08	1	F18
94050-05080	0	F18	95701-06012-08	1	F20	96001-06016-08	1	E08
94050-06070	0	F04	95701-06016-08	1	F19	96001-06016-08	1	F19
94050-06080	1	E02	95701-06022-07	0	F15	96001-06018-08	1	E03
94050-06080	1	E07	95701-06025-08	1	E02	96001-06020-08	1	E07
94050-06080	1	F09	95701-06032-08	1	E02	96001-06022-08	0	E08
94050-06080	1	F10	95701-06032-08	1	F08	96001-06025-00	0	F04
94050-06080	1	F18	95701-06032-08	1	F13	96001-06025-08	1	E07
94050-06080	1	F19	95701-06035-08	1	F13	96001-06025-08	1	E08
94050-06080	1	F20	95701-08012-08	1	E01	96001-06025-08	1	F18
94050-10080	0	E06	95701-08020-07	0	F12	96001-06045-08	0	E01
94050-10080	0	E08	95701-08035-07	0	F12	96001-06085-08	0	E02
94301-08140	0	E01	95701-08035-08	0	E01	96001-06085-08	0	E04
94301-08140	0	E04	95701-08040-08	3	E01	96001-06100-08	1	E04
94301-10200-M2	1	E09	95701-LDC8-E10	0	F19	96100-62033-00	0	E01
94510-20000	1	E09	95701-LHM9-E60	1	F19			
94511-14000	1	E01	95801-08032-08	0	F16			
94520-24000	1	E06	95801-08040-08	1	F06			

PART NO. INDEX

PART NO.	VERSION	PAGE	PART NO.	VERSION	PAGE	PART NO.	VERSION	PAGE
98000								
98056-5771R-00-M2	1	E02						
98200-10700	1	F11						