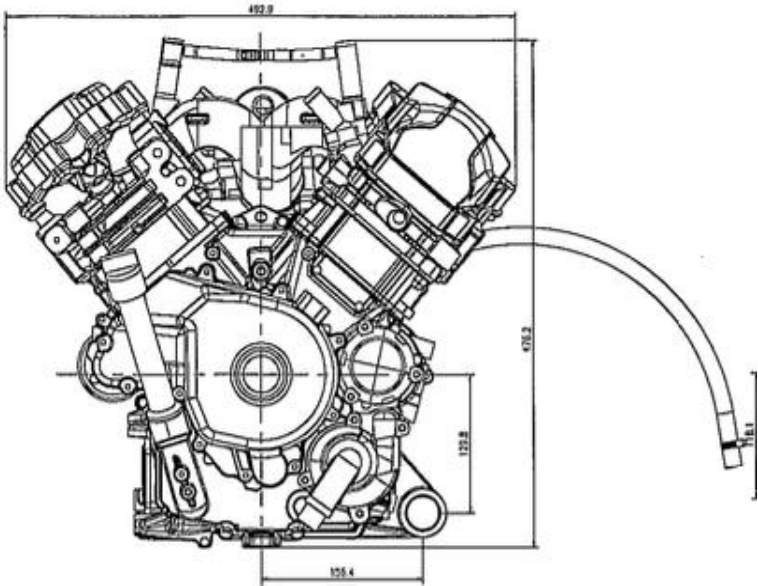
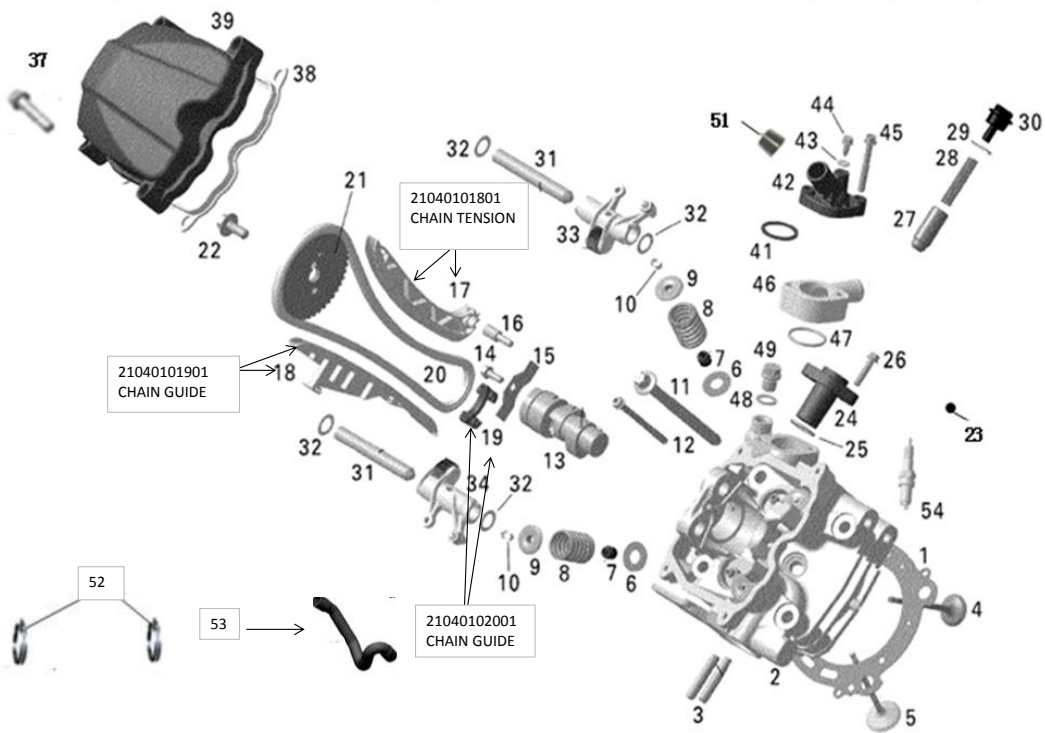


21040100002

Snowmobile engine set 2V91MW (800CC)

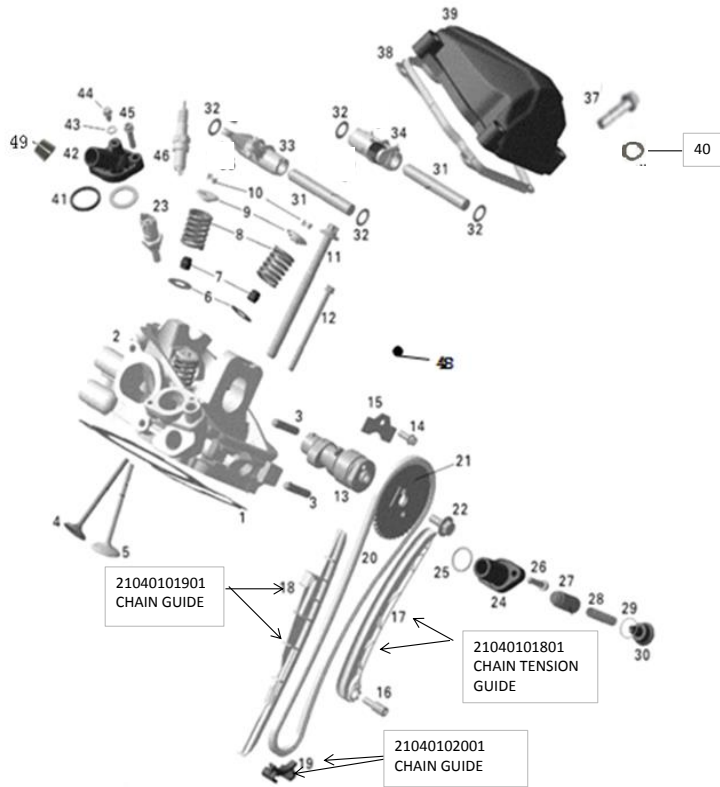


1	FRONT CYLINDER HEAD.....	3 - 6
2	REAR CYLINDER HEAD.....	7 - 10
3	CRANKCASE.....	11 - 13
4	CRANKSHAFT PISTON AND CYLINDER.....	14 - 15
5	MAGNETO.....	16 - 18
6	ENGINE LUBRICATION.....	19 - 21
7	ENGINE COOLING.....	22 - 23
8	INTAKE MANIFOLD AND THROTTLE.....	24 - 25
9	ENGINE ACCESSORIES.....	26 - 27



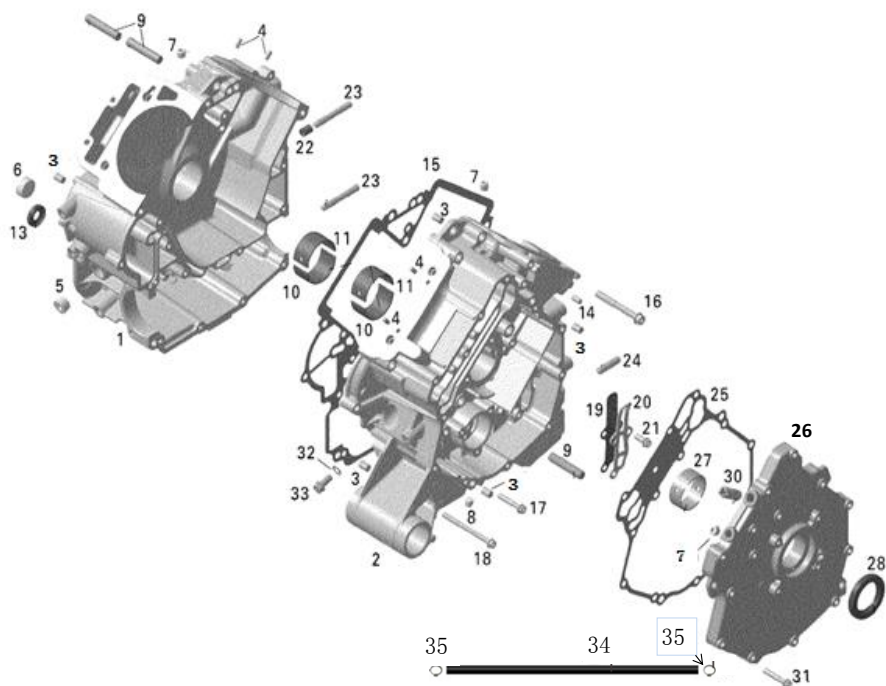
1 FRONT CYLINDER HEAD

Item No.	ERP NO	Designation	Name	Quantity	Remark
1	21040100101		CYLINDER HEAD GASKET	1	
2	22040100201		CYLINDER FRONT	1	
3	21040100501		STUD-M8x45	2	
4	21040100601		INTAKE VALVE 31MM	2	
5	21040100701		EXHAUST VALVE 27MM	2	
6	21040100801		THRUST WASHER	4	
7	21040500101		VALVE STEM SEAL	4	
8	21040101001		VALVE SPRING	4	
9	21040101101		VALVE SPRING RETAINER	4	
10	21040101201		VALVE-COTTER	8	
11	21040101301		SCREW-HEX FLANGE M10x140	4	
12	01214060851		SCREW-HEX FLANGE	2	
13	21040101401		CAMSHAFT	1	
14	01224060161		SCREW-HEX FLANGE	1	
15	21040101601		HOLDING STRIP	1	
16	21040101701		BEARING SCREW M6	1	
17	21040101801		CHAIN TENSION GUIDE	1	
18	21040101901		CHAIN GUIDE	1	
19	21040102001		CHAIN GUIDE	1	
20	21040102101		SILENT CHAIN 6.35Px112	1	
21	21040102201		CAMSHAFT SPROCKET 42 T	1	
22	21040102301		HEXAGONAL COLLAR SCREW M8 X 20	1	
23	21040100401		STEEL BALL	1	
24	21040102401		CHAIN TENSIONER HOUSING	1	
25	21040500301		O RING Ø 21x2.5	1	
26	01224060221		SCREW-HEX FLANGE	2	
27	21040102601		CHAIN TENSIONER PLUNGER	1	
28	21040102901		SPRING	1	
29	21040500401		O RING Ø 17x2	1	
30	21040102801		PLUG SCREW	1	
31	21040103101		PIN # 12 SMALL	2	
32	21040103201		SHIM Ø 18.6xØ 12.4x0.5	4	
33	21040103301		ROCKER ARM INLET	1	
34	21040103401		ROCKER ARM EXHAUST	1	
37	01224060251		SPECIAL BOLT	4	
38	21040500501		GASKET	1	
39	21040103901		VALVE COVER	1	
41	21040501801		GASKET-THERM	1	
42	21040104301		THERMOSTAT COVER	1	
43	06150061201		GASKET RING	1	
44	21040104401		BLEED SCREW M6 X 10	1	
45	01214060451		SCREW-HEX FLANGE	2	
46	21040104501		CONNECTION SOCKET	1	
47	21040501901		O RING Ø 27.8x2.6	1	
48	21040104701		COPPER WASHER	1	
49	21040104801		SCREW-PLUG M12x1.5	1	
51	21040104361		THERMOSTAT COVER RUBBER CAP	1	
52	21040104902		GEAR CLAMP 16-27	2	
53	21040105001		WATER TUBE	1	
54	21040105101		PLUG-SPARK	1	



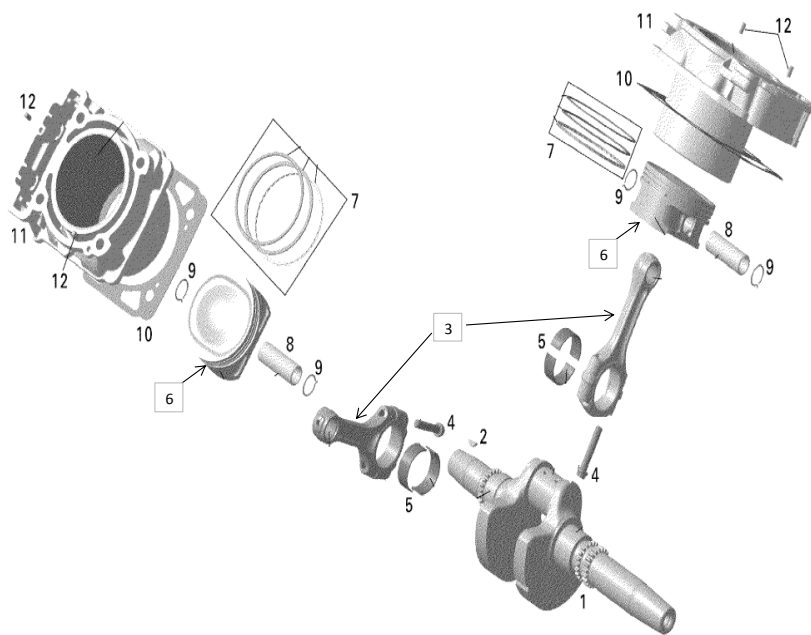
2 REAR CYLINDER HEAD

Item No.	ERP NO	Designation	Name	Quantity	Remark
1	21040100101		CYLINDER HEAD GASKET	1	
2	22040100301		CYLINDER REAR	1	
3	21040100501		STUD-M8 X 45	2	
4	21040100601		INTAKE VALVE 31MM	2	
5	21040100701		EXHAUST VALVE 27MM	2	
6	21040100801		THRUST WASHER	4	
7	21040500101		VALVE STEM SEAL	4	
8	21040101001		VALVE SPRING	4	
9	21040101101		VALVE SPRING RETAINER	4	
10	21040101201		VALVE-COTTER	8	
11	21040101301		TORX SCREW M10 X 140	4	
12	01214060851		SCREW-TORX FLANGE M6x85	2	
13	21040101501		CAMSHAFT	1	
14	01224060161		SCREW-TORX FLANGE M6x16	1	
15	21040101601		HOLDING STRIP	1	
16	21040101701		BEARING SCREW M6	1	
17	21040101801		CHAIN TENSION GUIDE	1	
18	21040101901		CHAIN GUIDE	1	
19	21040102001		CHAIN GUIDE	1	
20	21040102101		SILENT CHAIN 6.35Px112	1	
21	21040102201		CAMSHAFT SPROCKET 42 T	1	
22	21040102301		HEXAGONAL COLLAR SCREW M8 X 20	1	
23	21040103001		TEMPERATURE SENSOR	1	
24	21040102401		CHAIN TENSIONER HOUSING	1	
25	21040500301		O RING Ø 21x2.5	1	
26	01224060221		SCREW-HEX FLANGE M6x22	2	
27	21040102601		CHAIN TENSIONER PLUNGER	1	
28	21040102901		SPRING	1	
29	21040500401		O-RING Ø 17x2	1	
30	21040102801		PLUG SCREW	1	
31	21040103101		PIN # 12 SMALL	2	
32	21040103201		SHIM Ø 18.6 x Ø 12.4x0.5	4	
33	21040103301		ROCKER ARM INLET	1	
34	21040103401		ROCKER ARM EXHAUST	1	
37	01224060251		SPECIAL BOLT M6x25	4	
38	21040500501		GASKET	1	
39	21040103901		VALVE COVER	1	
40	21040104101		SPACER Ø 30xØ 20.5x1	1	
41	21040501801		GASKET-THERM	1	
42	21040104301		THERMOSTAT COVER	1	
43	06150061201		GASKET RING	1	
44	21040104401		BLEED SCREW M6 X 10	1	
45	01224060221		SCREW-HEX FLANGE M6x22	2	
46	21040105101		PLUG-SPARK	1	
48	21040100401		STEEL BALL Ø 5.159	1	
49	21040104361		THERMOSTAT COVER RUBBER CAP	1	



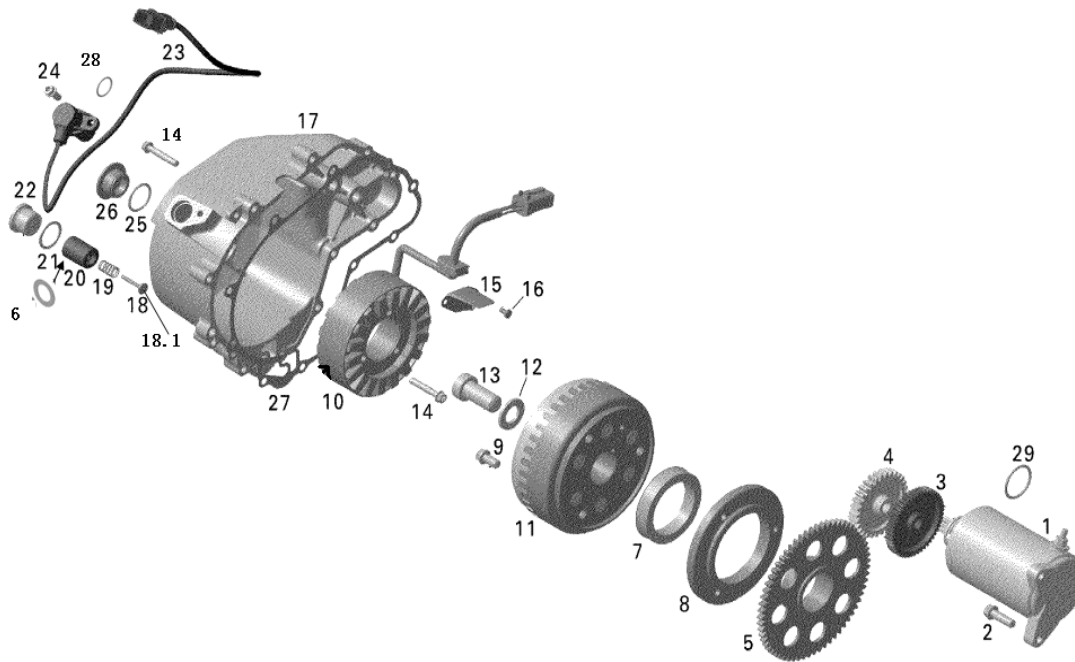
3 CRANKCASE

Item No.	ERP NO	Designation	English name	Quantity	Remark
1	21040105201		RIGHT CRANKCASE	1	
2	21040105301		LEFT CRANKCASE	1	
3	21040105401		PIN-CENTER Ø 8x12	5	
4	21040105502		GUIDE PIN Ø 5x11	4	
5	21040105601		PLUG-SCREW NPT1/2	1	
6	21040105601		PLUG-SCREW NPT1/2	1	
7	21040105701		PLUG-SCREW NPT1/8	3	
8	21040105801		SCREW-PLUG NPT1/4	1	
9	21040105901		PIN DEEDLE	3	
10	21040106001		PLAIN BEARING	2	
11	21040106101		PLAIN BEARING	2	
13	21040113901		WATER SEAL	1	
14	21040106301		NEEDLE PIN Ø 6x10	1	
15	21040106401		GASKET	1	
16	01214080651		SCREW-HEX FLANGE M8x65	4	
17	01224060351		SCREW-HEX FLANGE M6x35	1	
18	01214060751		SCREW-HEX FLANGE M6x75	12	
19	21040106501		REED VALVE	1	
20	21040106601		STOP VALVE-PISTON	1	
21	01224060161		SCREW-HEX FLANGE M6x16	3	
22	21020103901		DOWEL Ø 10x16	1	
23	21040106801		STUD M8x62	2	
24	21040100501		STUD M8x45	1	
25	21040106901		GASKET	1	
26	21040107001		PTO COVER	1	
27	21040107101		BEARING SLEEVE	2	
28	21040502101		OIL SEAL 34x52x8	1	
30	21040107201		HOSE NIPPLE NPT1/4	1	
31	01224060351		SCREW-HEX FLANGE M6x35	14	
32	21040107401		RING-SEALING Ø 8	1	
33	01224080161		SCREW-HEX FLANGE M8x16	1	
34	21040505501		BREATHING HOSE	1	
35	21040505511		CLAMP 12-22	2	



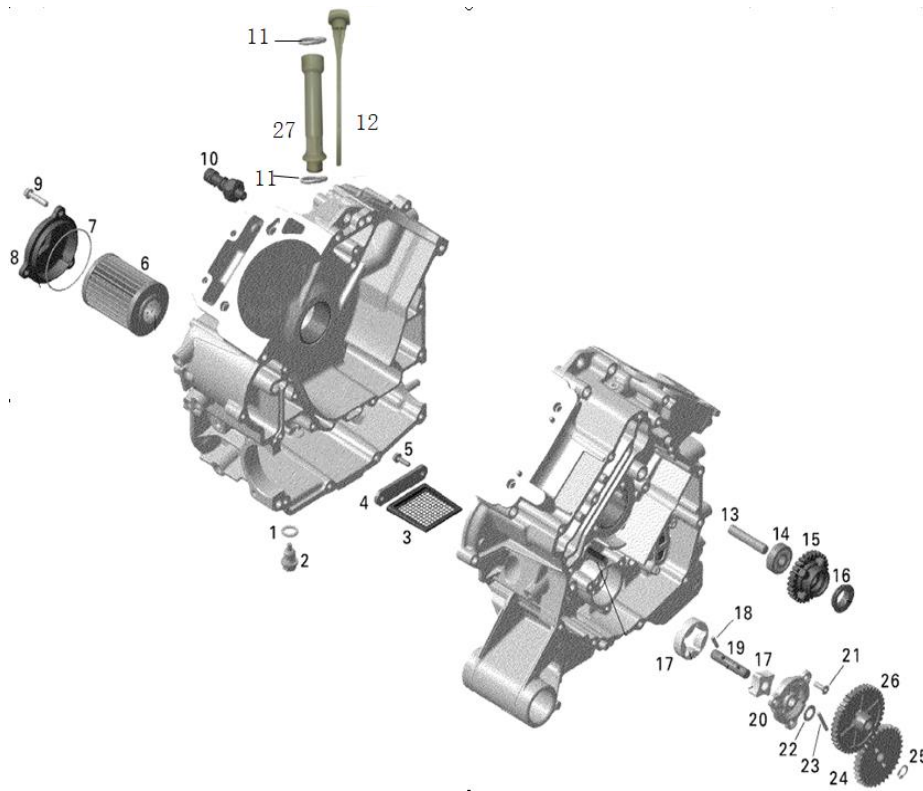
4 CRANKSHAFT PISTON AND CYLINDER

Item No.	ERP NO	Designation	Name	Quantity	Remark
1	21040107501		CRANKSHAFT	1	
2	21040107701		KEY-WOODRUFF	1	
3	21040107801		CONNECTING ROD	2	
4	21040107821		CONNECTING ROD SCREW M8 X 1	4	
5	21040107831		PLAIN BEARING	4	
6	21040108201		PISTON	2	
7	21040108301		FIRST PISTON RING	2	
	21040108401		SECOND PISTON RING	2	
	21040108501		SCRAPER RING	4	
	21040108601		OIL RING	2	
8	21040108701		PISTON PIN	2	
9	21040108801		CIRCLIP-PISTON	4	
10	21040408901		GASKET PAPER	2	
11	21040109001		CYLINDER ASSEMBLY	2	
12	21040105502		GUIDE PIN Ø 5x11	4	



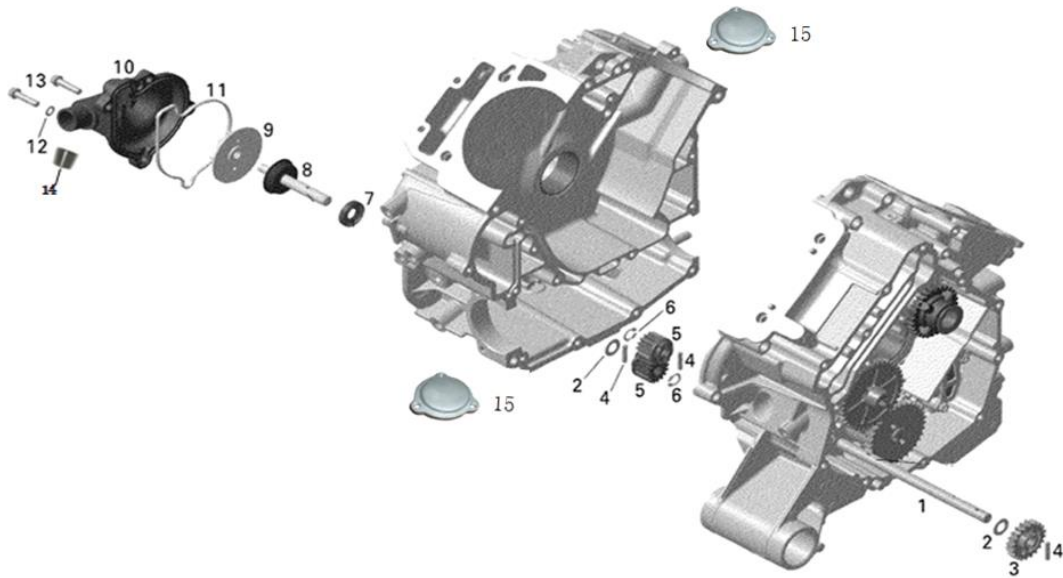
5 MAGNETO

Item No.	ERP NO	Designation	Name	Quantity	Remark
1	21110100001		STARTER ASSY	1	
2	01224080251		HEX FLANGE SCREW M8x25	1	
3	21040109201		DOUBLE GEAR 49T/11T	1	
4	21040109301		INTERMEDIATE GEAR 30T	1	
5	21040109401		FREE WHEEL GEAR ASSY 60T	1	
6	21040205801		SHIM $\varnothing 24 \times \varnothing 12.5 \times 1$	1	
7	21040109501		SPRAG CLUTCH	1	
8	21040109601		HOUSING SPRAG CLUTCH	1	
9	03344080161		SCREW-TORX FLANGE M8x16	3	
10	21040500901		GENERATOR STATOR	1	
11	21040500801		GENERATOR FLY WHEEL	1	
12	21040109901		SHIM $\varnothing 30 \times \varnothing 16.5 \times 3$	1	
13	03344160357		SCREW-ALLEN M16x35	1	
14	01224060351		SCREW-TORX FLANGE M6x35	14	
15	21040110101		COVER-CABLE INNER	1	
16	03113040081		SCREW-TAPPING M4x8	2	
17	22040110201		IGNITION COVER	1	
18.1	21040110301		CUSHION	1	
18	21040110401		VALVE	1	
19	21040110501		COMPRESSION SPRING	1	
20	21040110601		SPRING SEAT	1	
21	21040503501		O RING $\varnothing 21.2 \times 3$	1	
22	21040110801		PLUG-SCREW M22x1.5	1	
23	21040110901		CRANK POSITION TRIGGER	1	
24	01224060161		SCREW-HEX FLANGE M6x16	1	
25	21040501301		O RING $\varnothing 24 \times 2.5$	1	
26	21040111201		PLUG-SCREW	1	
27	21040111301		GASKET	1	
28	21040501201		O RING $\varnothing 16 \times 2$	1	
29	21040501001		START MOTOR O RING $\varnothing 25 \times 3$	1	



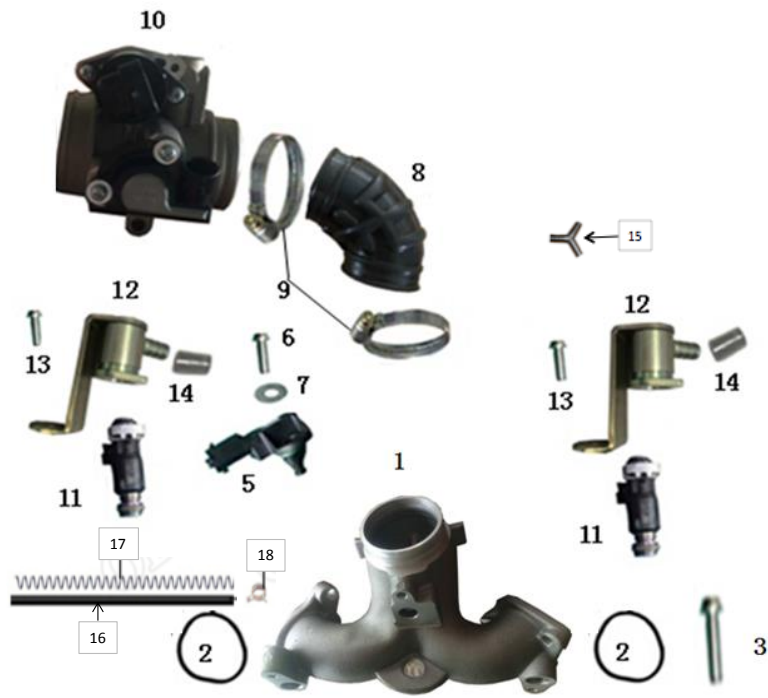
6 ENGINE LUBRICATION

Item No.	ERP NO	Designation	Name	Quantity	Remark
1	21040104701		COPPER WASHER Ø 18xØ 12.4x2	1	
2	21040104801		DRAIN PLUG M12X1.5	1	
3	21040502201		SIEVE-OIL	1	
4	21040111501		COVER SIEVE	1	
5	01223050161		SCREW-HEX FLANGE M5 X 16	2	
6	21040111601		FILTER-OIL	1	
7	21040502301		O-RING Ø 60x2.5	1	
8	21040111801		OIL FILTER COVER	1	
9	01224060181		SCREW-HEX FLANGE M6x18	3	
10	21040111901		OIL PRESSURE SWITCH	1	
11	21040502401		O-RING Ø 22x3.5	2	
12	21050601501		OIL DIPSTICK	1	
13	21040516601		PIN DEEDLE	2	
14	09360006200		BEARIG 6200-2RZ	1	
15	21040112301		IDLE GEAR	1	
16	21040502901		V-RING	1	
17	21040112501		OUTER ROTOR-PUMP OIL	1	
	21040112601		INNER ROTOR-PUMP OIL	1	
18	21040112701		PIN-NEEDLE Ø 4x16	1	
19	21040112801		SHAFT-PUMP OIL	1	
20	21040112901		COVER-PUMP OIL	1	
21	03424050161		SCREW-TORX M5x16	3	
22	21040113001		THRUST WASHER Ø 17xØ 10.2X1	1	
23	21040113101		NEEDLE PIN Ø 4x30	1	
24	21040113201		GEAR-PUMP OIL 33TH	1	
25	07021101004		RING-SNAP Ø 10	1	
26	21040113401		IDLE GEAR 38 TH	1	
27	21050601401		OIL LEVEL PIPE	1	



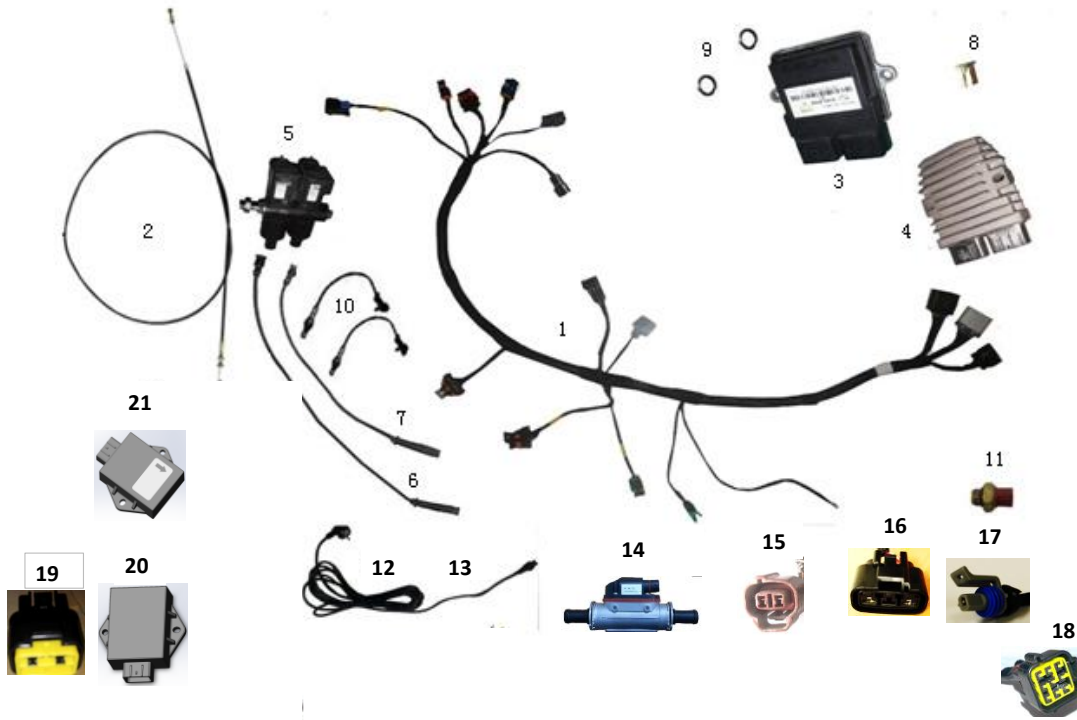
7 ENGINE COOLING

Item No.	ERP NO	Designation	Name	Quantity	Remark
1	21040113501		INTERMEDIATE SHAFT	1	
2	21040113001		THRUST WASHER Ø 17XØ 10.2X1	2	
3	21040113601		WATER PUMP GEAR z=20	1	
4	21040113701		PIN-NEEDLE Ø 4x20	3	
5	21040113801		PUMP GEAR	2	
6	07021101004		RING-SNAP Ø 10	2	
7	21040502001		OIL SEAL Ø 10xØ 25x5	1	
8	21040114001		WATERPUMP SHAFT ASSEMBLY	1	
9	21040114101		IMPELLER-WATER	1	
10	21040501401		WATER PUMP HOUSING	1	
11	21040501501		GASKET	1	
12	06150061201		WASHER-SEAL	1	
13	01224060251		SCREW-HEX FLANGE M6x25	4	
14	21040114211		WATER PUMP HOUSING RUBBER CAP	1	
15	21040501101		OUTPUT SHAFT END COVER	2	



8 INTAKE MANIFOLD AND THROTTLE

Item No.	ERP NO	Designation	Name	Quantity	Remark
1	21040501601		AIR INLET MANIFOLD	1	
2	21040501701		GASKET	2	
3	01225080251		SCREW-TORX FLANGE M8x25	4	
5	21040114601		TEMP.SENSOR	1	
6	01224060121		SCREW-TORX FLANGE M6x12	1	
7	06222061704		FLAT GASKET Ø 6x17	1	
8	21040503002		INTAKE NECK	1	
9	21040116501		HOSE CLAMP 40-60	2	
10	21040114801		THROTTLE BODY	1	
11	21040114901		INJECTION VALVE	2	
12	21040503101		INJECTION VALVE CAP	2	
13	01224060161		CLAMP M6x16	2	
14	21040114911		INJECTION VALVE RUBBER CAP	2	
15	21040115301		Y-SHAPED CONNECTOR	1	
16	10404040500		FUEL PIPE Ø 7.5xØ 14.5 L=200mm	2	
17	13204040540		OIL PIPE PROTECTION SPRING Ø 17 L=200mm	2	
18	11912010030		CLAMP 14.5mm	4	



9 ENGINE ACCESSORIES

Item No.	ERP NO	Designation	Name	Quantity	Remark
1	10009410000		ENGINE WIRING HARNESS	1	
2	10011010010		THROTTLE BODY CABLE	1	
3	21040505401		ECU MODULE	1	
4	21040400601		VOLTAGE REGULATOR	1	
5	21040400201		IGNITION COIL	2	
6	21040503901		SPARK PLUG CABLE (FRONT) L=1000mm	1	
7	21040504001		SPARK PLUG CABLE (REAR) L=510mm	1	
8	21040505601		FORK FOR THE THROTTLE CABLE	1	
9	21040400101		EXHAUST PIPE WASHER	2	
10	21040400701		OXYGEN SENSOR	2	
11	21040504401		TEMPERATURE SENSOR 88 DEGREE	1	
12	21040503801		MAIN POWER WIRE	1	
13	21040503701		MINI PLUG SOCKET WIRE	1	
14	21040503601		PTC ENGINE PREHEATER SET (DEFA)	1	
15	21040504601		ELECTRICAL TERMINAL	1	
16	21040504901		ELECTRICAL TERMINAL	1	
17	21040504101		ELECTRICAL TERMINAL	1	
18	21040504301		ELECTRICAL TERMINAL	1	
19	21040504711		ELECTRICAL TERMINAL	1	With Item 20
20	21040504701		ROTATION SPEED SIGNAL MODIFICATION DEVICE	1	
21	21040505301		TILT SENSOR	1	